

PRODUCT DATASHEET

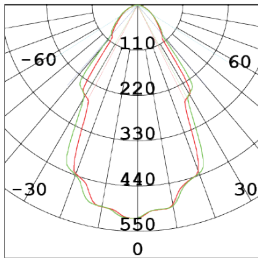
GEMINI XF

5104002012

SAP CODE: 4001300

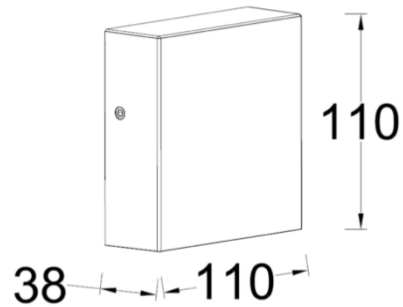
New member of the GEMINI family is the GEMINI XF, this extra flat downlight version is very convenient for single or multiple installation. A powerful, white LED light of 750 lumens is emitted by this compact and flat wall light.

PHOTOMETRIC DIAGRAM



Unit: cd
 - C0/180,54.1
 - C30/210,58.1

Photometric diagram shown is for 3000 K output.



Dimensions 38 x 110 x 110 mm

KEY INFORMATION

Power	9W
Lumen Output	865 lms
Mounting Type	Wall Mount
Dimming Type	Non-Dimmable
Product Colour	Matt Black
IP Rating	IP54
IK Rating	IK07
Operating Ambient Temp.	-20 to 50 °C
Connection Type	Terminals
Driver	Integrated
Warranty	5 yrs

PHOTOMETRIC

Efficacy	94 lms/W
CCT	3000K
CRI	> 80
SDCM	< 3
Beam Angle	C0/180: 55 °
Flicker-Free	Yes
Projected Lifespan	>50,000hrs @ Ta 25°C (L70)

ELECTRICAL

Input Voltage	220-240 Vac
Power Factor	> 0.9
Electrical Classification	Class I
Surge Protection	L-N1000V

OTHERS

Body Material	Aluminum
Diffuser Material	Glass (Clear)
Cable Entry	Rear
Weight	0.31 kg