

PRODUCT DATASHEET

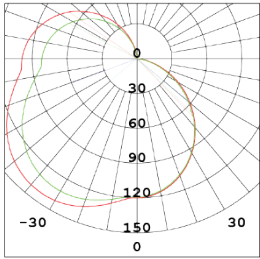
CUBA

5193803012

SAP CODE: 4001288

CUBA, design award winning LED light, now available in a one head version with warm light or daylight integrated LED module. Resulting in a compact solution providing the same superb lighting effects and orientation flexibility.

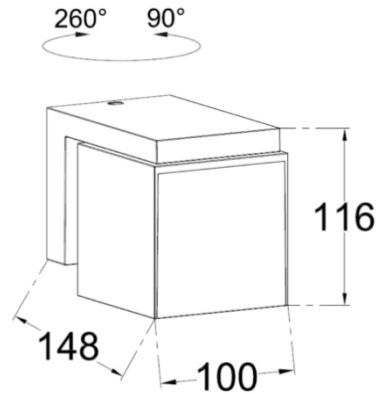
PHOTOMETRIC DIAGRAM



Unit: cd

— C0/180,168.2

— C30/210,163.0



Dimensions 116 x 100 x 148 mm

KEY INFORMATION

Power	12W
Lumen Output	500 lms
Mounting Type	Wall Mount
Dimming Type	Non-Dimmable
Product Colour	Matt Black
IP Rating	IP54
IK Rating	IK06
Operating Ambient Temp.	-20 to 50 °C
Connection Type	Terminals
Driver	Integrated
Warranty	5 yrs

PHOTOMETRIC

Efficacy	42 lms/W
CCT	3000K
CRI	> 80
SDCM	
Beam Angle	
Flicker-Free	Yes
Projected Lifespan	>50,000hrs @ Ta 25°C (L70)

ELECTRICAL

Input Voltage	220-240 Vac
Power Factor	
Electrical Classification	Class I
Surge Protection	

OTHERS

Body Material	Aluminum
Diffuser Material	Poly carbonate
Cable Entry	Rear
Weight	0.89 kg