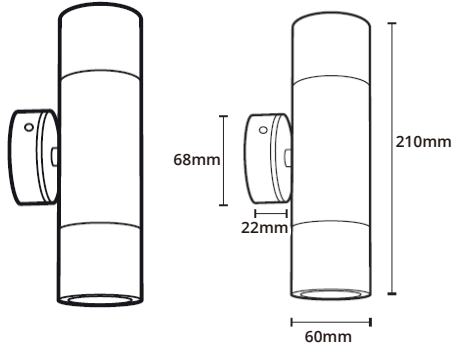


HANECO LIGHTING LED INSTALLATION GUIDE

ARCHISPOT

PRODUCT CODE: ASU/D12W60-S-3K

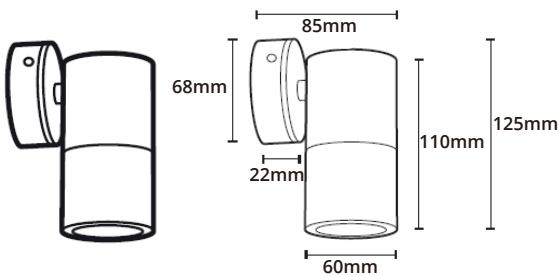


INSTRUCTIONS

- STEP 1** Ensure power to the circuit you are working on has been switched OFF.
- STEP 2** Using the Allen key supplied, remove the mounting base from light fitting. Disconnect the Earth wire from the mounting base at the terminal block for ease of installation.
- STEP 3** Feed the mains supply wiring through the cable entry gland.
- STEP 4** Ensure the cable entry gland is in place before screwing the mounting base to the wall to maintain the IP rating integrity.
- STEP 5** Connect the mains supply wiring to the terminal blocks.

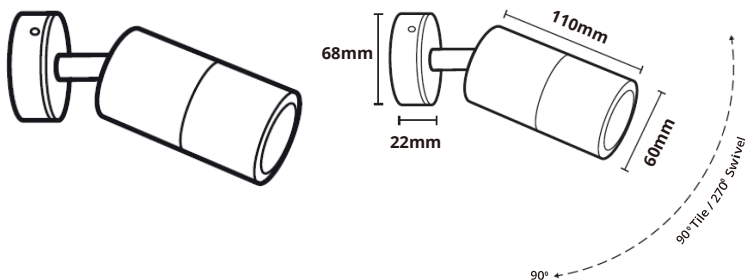
	Mains Supply Wire	Light Fitting Wire
Earth	Yellow/Green	Yellow/Green
Neutral	Black	Blue
Active/Live	Red	Brown

PRODUCT CODE: ASFIX6W60-S-3K



- STEP 6** Re-connect the Earth wire at the terminal block.
- STEP 7** Application of silicon sealant is recommended around the 2 mounting holes and cable entry point to ensure the IP Rating is maintained.
- STEP 8** Secure the light fitting to the mounting base using the Allen key provided.
- STEP 9** Ensure everything is tightened and secured before switching the circuit power ON.

PRODUCT CODE: ASADJ6W60-S-3K



6 W/ 12W	IP65	Alum.	240V
-------------	------	-------	------

GU10	-10°C ~45°C	3 YEAR WARRANTY
------	----------------	--------------------



WARNING: PRODUCT MUST BE INSTALLED BY A LICENSED ELECTRICIAN!
PLEASE READ INSTRUCTIONS BEFORE INSTALLATION AND RETAIN FOR FUTURE REFERENCE

Product technical information may change over time without prior notification. For the latest instructions, please refer to our website at www.haneco.com.au

Failure to comply with installation guidelines will automatically void the warranty