



# ASTRAL

**AST30W-235-BK**

SAP CODE: 2002549

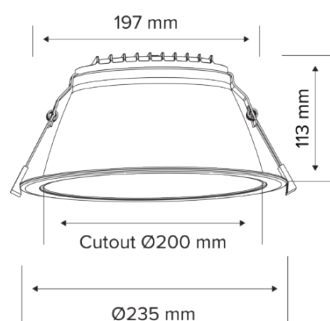
## Premium, low glare.

The ASTRAL range meets market demands with a complete selection of sizes and optional reflectors to suit every designer's needs. Each variant complies with Greenstar requirements, ensuring high performance for commercial applications. With high lumen outputs, a tight beam angle, tritone, and dimming technology, ASTRAL is the go-to solution for commercial lighting.

### APPLICATIONS

Bathrooms, Boardroom / Meeting Rooms, Cocktail Lounge, Medical Facilities, Hotel Common Areas, Hotel Rooms, Offices, Retail Spaces, Showrooms, Restaurants / Cafes, Entrance, Food Courts

### DIMENSION DIAGRAMS

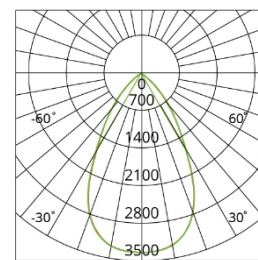


#### Disclaimer

Note 1: SDCM Values measured on 4K and 5.7K CCT



### PHOTOMETRIC DIAGRAM



Unit: cd

- C0/180 59.9deg

- C90/270 60.4deg

Photometric diagram shown is for 5000K output.

### KEY INFORMATION

Power	30 W
Lumen Output	3380 / 3450 / 3400 lm
Cutout Size	Ø 200 mm
Mounting Type	Recessed
Dimming Type	Phase-Cut Dimmable (Trailing Edge, 10-100%)
Body Colour	Black
IP Rating	IP54 F - IP20 B
IC Rating	IC-4 (Lamp Only)
Operating Ambient Temp.	-20°C to 45°C
Connection Type	0.6m Flex & Plug
Driver	Remote
Warranty	5 yrs

### PHOTOMETRIC

Efficacy	115 / 121 / 118 lm/W
CCT	4000 / 5000 / 5700 K
CRI	> 90
SDCM	< 3
UGR	< 19
Beam Angle	60°
Flicker-Free	Yes
Projected Lifespan	54,000hrs @ Ta25°C(L80)

### ELECTRICAL

Input Voltage	220-240VAC
Driver Output Voltage	30-40V DC
Driver Output Current	700mA
Power Factor	> 0.9
Electrical Classification	Class II
Surge Protection	Overload / Short Circuit

### OTHERS

Adjustable Angle	Not Applicable
Body Material	Aluminium
Diffuser Material	PMMA
Rebate Scheme Approvals	Not Applicable
HACCP Approval	No
Weight	0.7 kg
Dimensions	Ø235 x 111 mm