



ASTRAL

AST30W-235

SAP CODE: 2002429

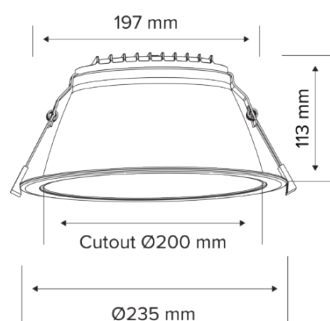
Premium, low glare.

The ASTRAL range meets market demands with a complete selection of sizes and optional reflectors to suit every designer's needs. Each variant complies with Greenstar requirements, ensuring high performance for commercial applications. With high lumen outputs, a tight beam angle, tritone, and dimming technology, ASTRAL is the go-to solution for commercial lighting.

APPLICATIONS

Bathrooms, Boardroom / Meeting Rooms, Cocktail Lounge, Medical Facilities, Hotel Common Areas, Hotel Rooms, Offices, Retail Spaces, Showrooms, Restaurants / Cafes, Entrance, Food Courts

DIMENSION DIAGRAMS

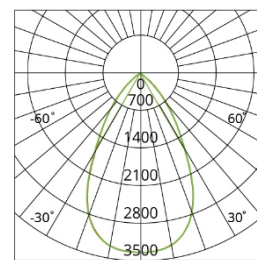


Disclaimer

Note 1: SDCM Values measured on 4K and 5.7K CCT



PHOTOMETRIC DIAGRAM



Unit: cd

- C0/180 59.9deg

- C90/270 60.4deg

Photometric diagram shown is for 5000K output.

KEY INFORMATION

| | |
|-------------------------|---|
| Power | 30 W |
| Lumen Output | 3380 / 3450 / 3400 lm |
| Cutout Size | Ø 200 mm |
| Mounting Type | Recessed |
| Dimming Type | Phase-Cut Dimmable (Trailing Edge, 10-100%) |
| Body Colour | White |
| IP Rating | IP54 F - IP20 B |
| IC Rating | IC-4 (Lamp Only) |
| Operating Ambient Temp. | -20°C to 45°C |
| Connection Type | 0.6m Flex & Plug |
| Driver | Remote |
| Warranty | 5 yrs |

PHOTOMETRIC

| | |
|--------------------|-------------------------|
| Efficacy | 115 / 121 / 118 lm/W |
| CCT | 4000 / 5000 / 5700 K |
| CRI | > 90 |
| SDCM | < 3 |
| UGR | < 19 |
| Beam Angle | 60° |
| Flicker-Free | Yes |
| Projected Lifespan | 54,000hrs @ Ta25°C(L80) |

ELECTRICAL

| | |
|---------------------------|--------------------------|
| Input Voltage | 220-240VAC |
| Driver Output Voltage | 30-40V DC |
| Driver Output Current | 700mA |
| Power Factor | > 0.9 |
| Electrical Classification | Class II |
| Surge Protection | Overload / Short Circuit |

OTHERS

| | |
|-------------------------|----------------|
| Adjustable Angle | Not Applicable |
| Body Material | Aluminium |
| Diffuser Material | PMMA |
| Rebate Scheme Approvals | Not Applicable |
| HACCP Approval | No |
| Weight | 0.7 kg |
| Dimensions | Ø235 x 111 mm |