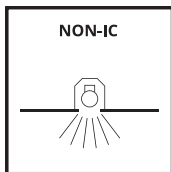


ASTRO

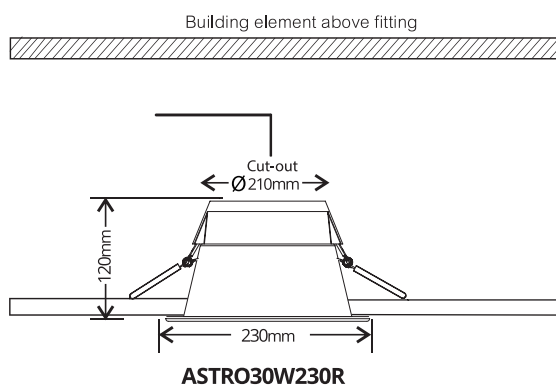
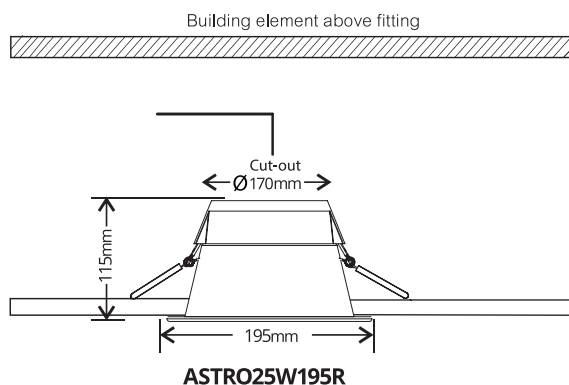
Thanks for choosing our surface mount ASTRO products.
We strongly recommend that you read this manual carefully before installation.






This range of Haneco Lighting LED products have been tested and certified to AS/NZS 60598.2.2. Haneco NOC-IC downlights are suitable for commercial use only. This product is not suitable for use in residential dwellings or other place where insulation may be installed now or in the future. This product is not tested with building insulations.

Installation Instructions

1. Cut a hole as shown below.
2. Select CCT and power settings.
3. Insert plug and cable through the cut-out into the ceiling cavity and plug into a pre-wired socket outlet inside the ceilings.
4. Fold mounting clips up to the sides of the luminaire and insert luminaire through the cut-out. The mounting clips will retract onto the rear face of the ceiling and hold the luminaire in position.
5. Insulation cannot abut and cover the luminaire.



WARNING

-  If the external flexible cord of this luminaire is damaged, it shall be exclusively replaced by the manufacturer or by a service agent or licenced electrician in order to avoid a hazard.
-  Non-user replaceable light source. The light source contained in this luminaire shall only be replaced by the manufacturer or by a service agent or licenced electrician.
-  The lens cover is integral to the luminaire and cannot be removed without being permanently damaged.

Product Code: **ASTRO25W195R**
ASTRO30W230R