

HANECO LIGHTING LED INSTALLATION GUIDE

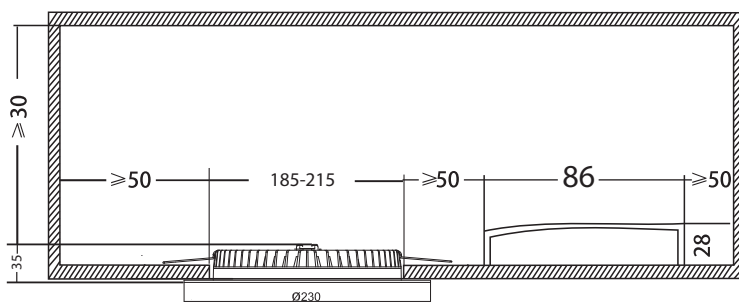
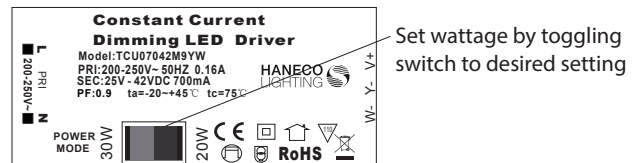
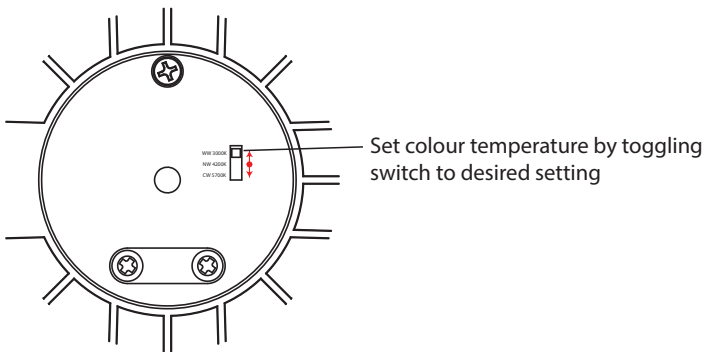
LED YOUR FUTURE



Haneco lighting LED Downlight allows the minimum clearance around heat sink, Including thermal insulation and building structural members to be at a minimum of 50mm.

This clearance is based on maximum ambient temperature of 70°C, The electronic LED driver must be located at least 50mm away from the heat sink in a well ventilated area that is not directly.

*Installation Instructions:

1. Take LED fitting out from box
2. Cut hole as per instruction below
3. Put the plug into the socket
4. Insert LED Downlight into the pre-cutted hole while gently releasing mounting springs.



20W/ 30W	 SMD	DIM	IP44	240V
-20° ~65°		Alum.	500mA 700mA	36VDC

PRODUCT CODE:C20/30W230R-MULTI