

# HANECO BULKHEAD LIGHT INSTALLATION GUIDE

## CALEO

Thanks for choosing our CALEO bulkhead light products.  
We strongly recommend that you read this manual carefully before installation.

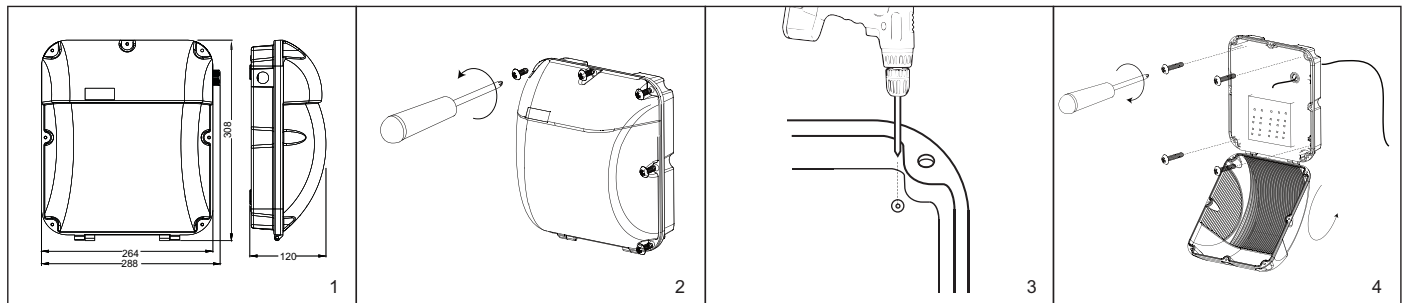
This product has no user serviceable parts. If any part is damaged, disconnect from mains and discontinue use.

Installation of this product is to be completed by a licensed electrician,  
in accordance with these instructions and relevant Australian standards/local regulations.

### Technical Characteristics

- Supply Voltage 220-250VAC
- Power 30W
- Insulation Class 1
- Protection Degree IP65
- Screws M6

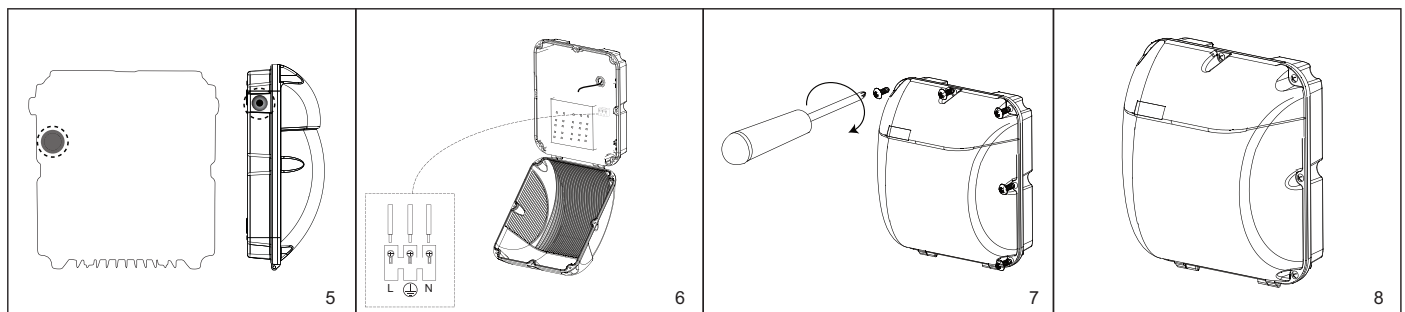
### Installation Instructions



Open fitting via captive screws around edge of luminaire.

Using the pre-determined corner fixing points, drill the appropriate sized hole to accommodate fixings used.

Mount luminaire to surface and ensure sealant is used around the fixing screws to maintain IP rating of the luminaire.



Side entry cabling to be sealed and fixed with appropriately IP rated M20 Cable glands.

Terminate cables into terminal block ensuring correct polarity and the luminaire is earthed.

Close fitting via captive screws around edge of luminaire.

The luminaire should only be used with the cover properly closed and intact.

Rear entry cabling to be sealed to maintain IP rating of the luminaire.

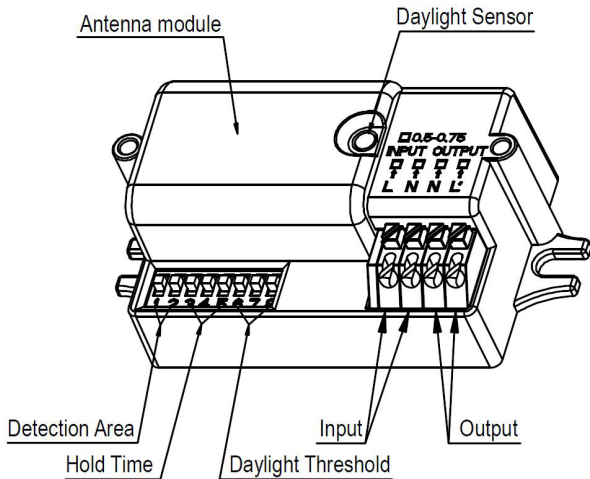
Suitable for outdoor use.

Product Code: **CALEO30W4K**  
**CALEO30W4K-S**  
**CALEO30W5K**  
**CALEO30W5K-S**

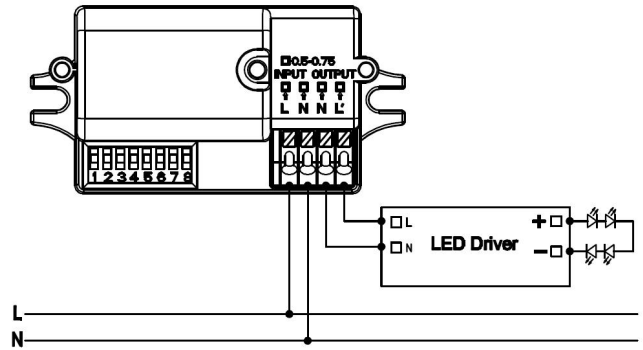
# CALEO

## Microwave Sensor Operation Instructions

Factory Settings: Detection Area 100%  
 Hold time: 5S  
 Daylight Sensor: "Disable"



### Wiring Diagram



Sensor designed for connection to one load only. Connection to more than one load may damage sensor.

### Detection Area

1	2	
ON	ON	100%
ON	-	75%
-	ON	50%
-	-	25%

### Hold Time

3	4	5	
ON	ON	ON	5S
ON	ON	-	30S
ON	-	ON	1min
ON	-	-	3min
-	ON	ON	5min
-	ON	-	10min
-	-	ON	20min
-	-	-	30min

### Daylight Sensor

6	7	8	
ON	ON	ON	2Lux
ON	ON	-	10Lux
-	ON	-	25 Lux
ON	-	-	50 Lux
-	-	-	Disable

**Override Function**  
 Quick switch ON/OFF  
 3 times within 2sec to  
 override sensor function.  
 Light will stay on. Power  
 off again to recover  
 sensor function.

### ⚠ WARNING

- If the external flexible cord of this luminaire is damaged, it shall be exclusively replaced by the manufacturer or by a service agent or licensed electrician in order to avoid a hazard.
- Non-user replaceable light source. The light source contained in this luminaire shall only be replaced by the manufacturer or by a service agent or licensed electrician.
- The diffuser is integral to the luminaire and cannot be removed without being permanently damaged.
- The luminaire must be installed by professional electrician.
- Switch power off when wiring the luminaire.
- Ensure input voltage conforms to the voltage range of product.
- Ensure wires are securely connected.
- Before switching on, ensure that all the wiring is correct.
- The warranty is void if product is not installed according to the instructions.

Product Code: **CALEO30W4K**  
**CALEO30W4K-S**  
**CALEO30W5K**  
**CALEO30W5K-S**