

# HANECO LIGHTING LED INSTALLATION GUIDE

## DIONE SERIES

This Haneco Lighting LED Downlight requires clearance around the heat sink including thermal insulation and building structural components to be at a minimum of 25mm. This clearance is based on a maximum ambient temperature of 70°C. The electronic LED driver must be located at least 50mm away from the heat sink in a well ventilated area.

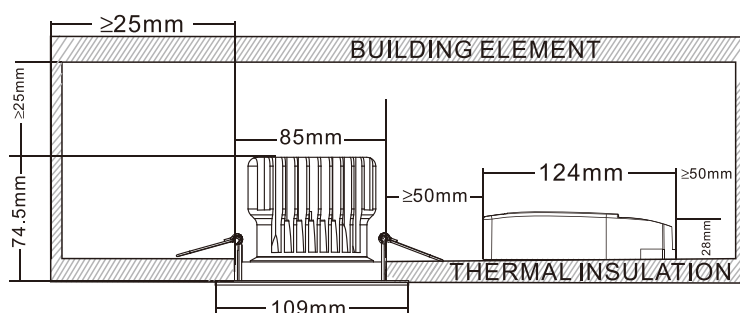
DO NOT COVER



Insulation or combustible material must not come in contact with the luminaire.

### \*Installation Instructions:

1. Take LED fitting out of the box.
2. Cut a hole as per instruction below.
3. Put the plug into the socket.
4. Insert LED Downlight into the pre-cut hole while gently releasing mounting springs.



15W

COB

DIM

IP54

240V

-20°  
~ 45°



Alum.

350mA

37VDC

Installation of the product is to be completed by a licensed electrician, in accordance with these instructions and relevant Australia standards/ local regulations.

PRODUCT CODE: D15W109R

