

DISCUS

Thanks for choosing our DISCUS.
We strongly recommend that you read this manual carefully before installation.

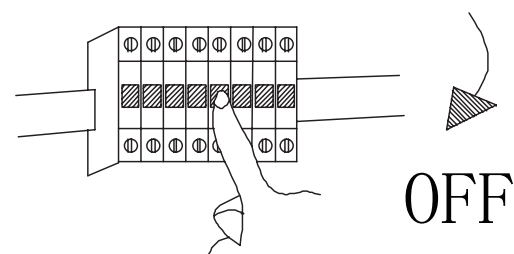
Product Specifications

PRODUCT CODE	POWER	COLOUR TEMPERATURE	VOLTAGE/FREQUENCY	PF	IP RATING	OPERATING TEMPERATURE	NET WEIGHT
DISC12W250R	12W	3000K / 4000K / 5700K	220 - 240VAC 50/60Hz	>0.9	IP54	- 20 - 45°C	0.65kg
DISC25W300R	25W					- 20 - 45°C	0.75kg
DISC25W300R-EM	25W					0 - 45°C	1.2kg
DISC25W300R-MS	25W					- 20 - 45°C	1.0kg
DISC25W-EM-MS	25W					0 - 45°C	1.2kg
DISC30W400R	30W					- 20 - 45°C	0.95kg

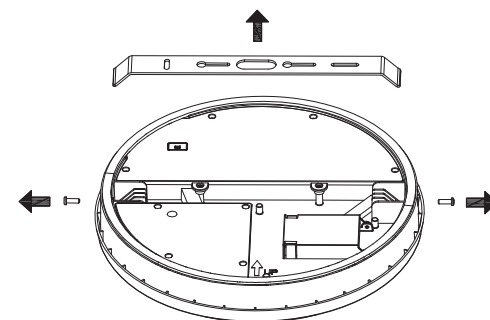
* Product variants: Microwave sensor - MS, Emergency - EM

Installation Instructions

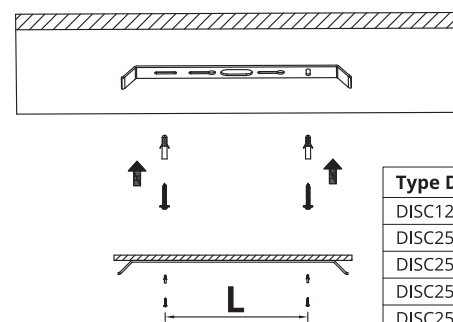
1. Switch-off main power.



2. Unscrew and separate the mounting bracket.

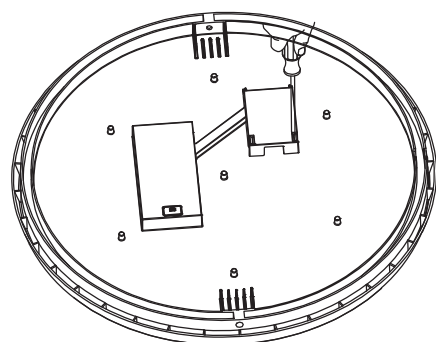


3. Install the bracket onto desired location.

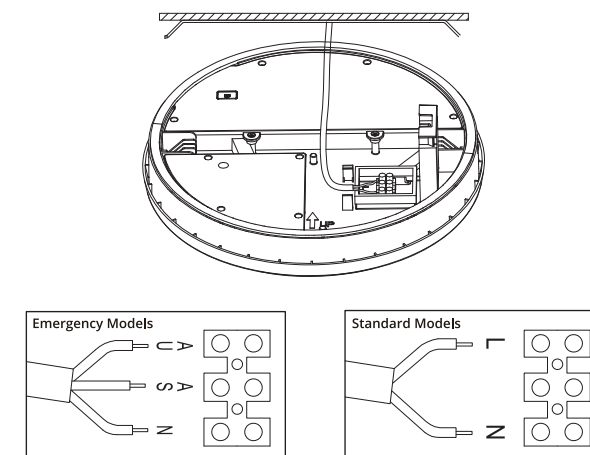


Type Desc	L(mm)
DISC12W250R	145±10
DISC25W300R	160±10
DISC25W300R-EM	
DISC25W300R-MS	
DISC25W-EM-MS	
DISC30W400R	260±10

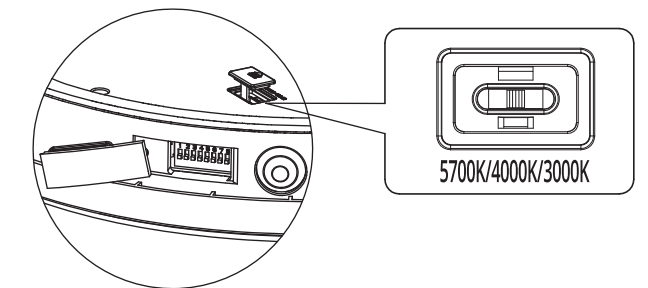
4. Open the junction box by tool.



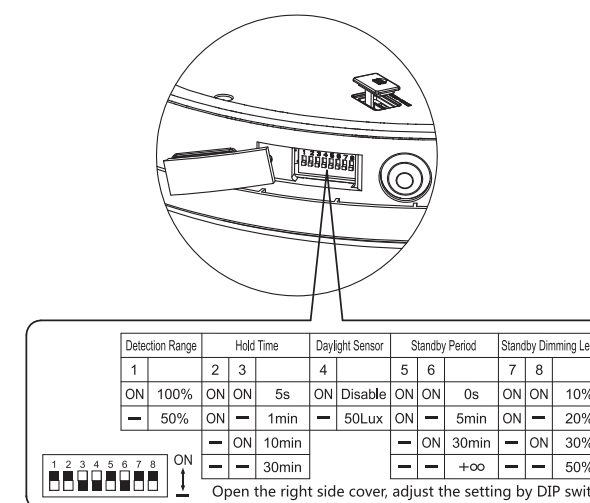
5. Wire the fitting as illustrated in the diagram below.



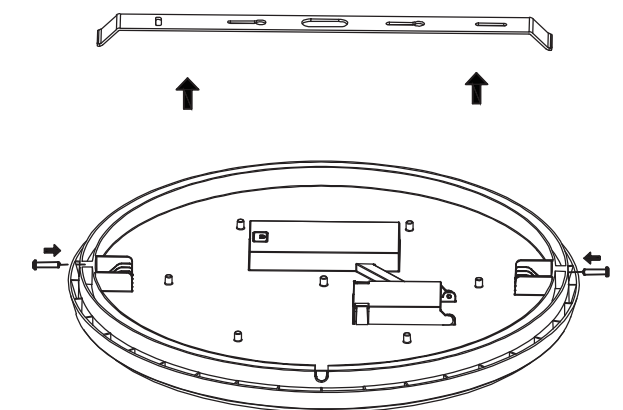
6. Select desired colour temperature.



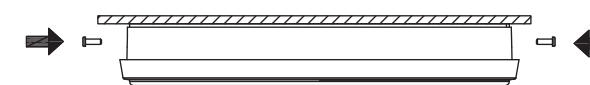
7. Setup the Intelli-sensor using the DIP switch combinations below.



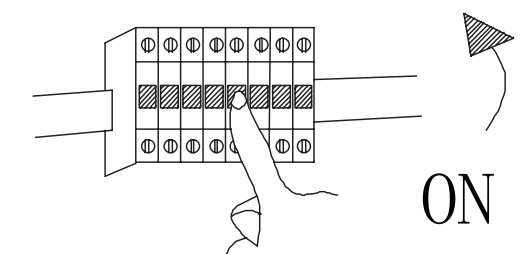
8. Install the DISCUS back on its bracket.



9. Tighten screws.



10. Switch-on main power.



WARNING

The luminaire must be installed by professional electrician.
Switch power off when wiring the luminaire.
Ensure input voltage conforms to the voltage range of product.
Ensure wires are securely connected.
Before switching on, ensure that all the wiring is correct.
The warranty is void if product is not installed according to the instructions.

Product Code: **DISC12W250R**
DISC25W300R
DISC25W300R-EM
DISC25W300R-MS
DISC25W-EM-MS
DISC30W400R