

HANECO LED BATTEN INSTALLATION GUIDE

DURA

Thanks for choosing our DURA batten series products.
We strongly recommend that you read this manual carefully before installation.

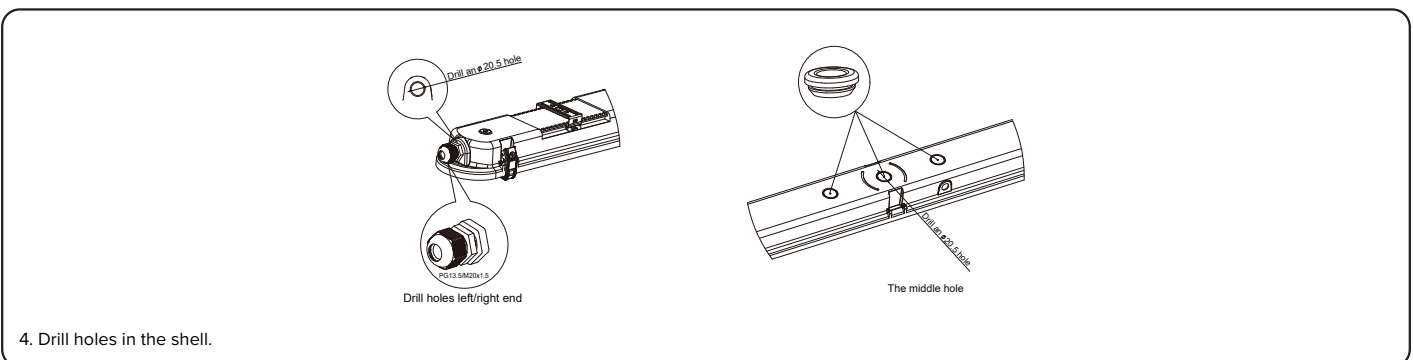
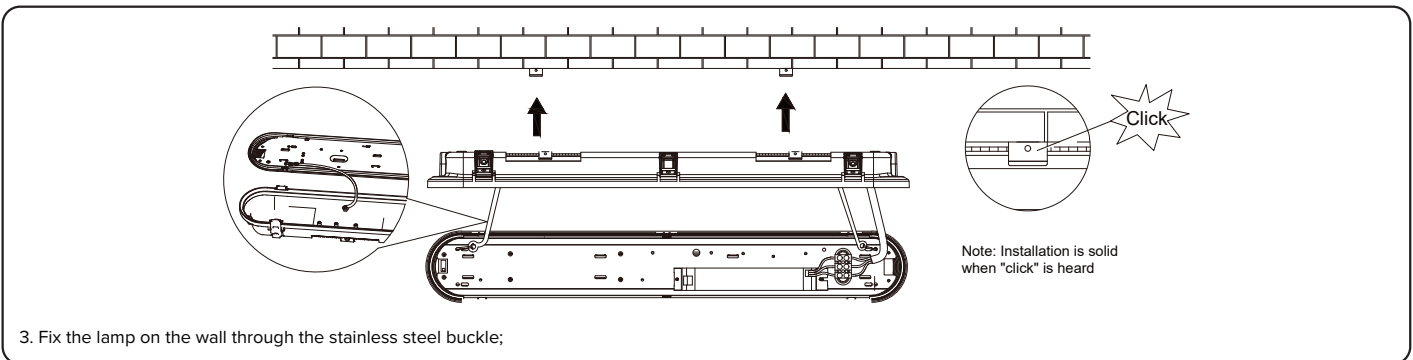
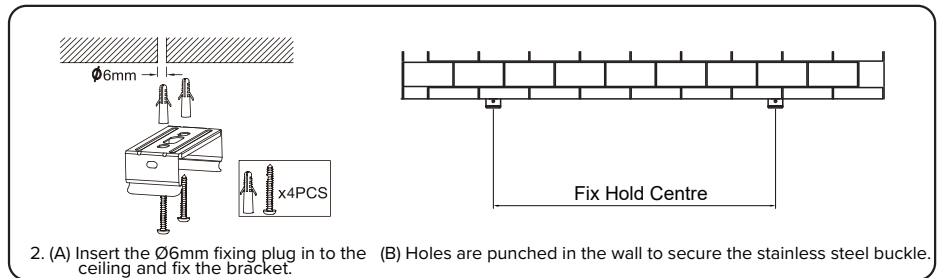
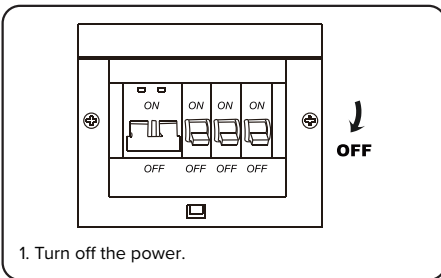
WARNING

The batten must be installed by professional electrician. switch power off when wiring the LED batten. Ensure product is installed in a well ventilated area. Ensure input voltage conforms to the voltage range of product. Ensure wires are securely connected. Before switching on, ensure that all the wiring is correct. The warranty is void if product is not installed according to the instruction.

MODEL	POWER	Voltage	Frequency	Dimensions	Emergency Duration	Fix Hole Centre
DURA-06 & DURA-06-MS	10/18W	AC 220-240v	50/60Hz	655x102x75mm		340mm
DURA-06-EM & DURA-06-EM-MS	10/18W	AC 220-240v	50/60Hz	655x102x75mm	>3Hr	340mm
DURA-12 & DURA-12-MS	18/36W	AC 220-240v	50/60Hz	1220 x 102 x 75mm		800mm
DURA-12-EM & DURA-12-EM-MS	18/36W	AC 220-240v	50/60Hz	1220 x 102 x 75mm	>3Hr	800mm

**Emergency lamps need to charge for more than 24 hours to meet the full emergency duration.
To ensure proper use of the lamps, please carefully read the full instruction guide.**

Installation Instructions



DURA

