



DURA

Weatherproof Battens



4POWER
Switchable
Modes



IP65
Ingress
Protection
Rating



IK08
Impact
Rating



HACCP
Food
Safe



50,000hr
Expected
Lifetime



5yr
Warranty

Robust construction for harsh environments.

The DURA batten features IP65 ingress protection, IK08 impact resistance which makes it the right choice for industrial and utility-type applications such as car parks, workshops, storerooms and back of house areas. Featuring a unique foldable structure and two-piece design for ease of installation.

Features

- Tritone and multi wattage selectable
- IP65 and IK08 rating
- Durable UV stabilised polycarbonate
- Tamper proof screws
- Stainless steel clips (301 chrome-nickel)
- 2 piece flip-open construction
- Emergency (EM) LiFePO4 backup battery
- Intellisensor (MS) model

Benefits

- Reduced inventory levels
- Designed to last in harsh environments
- Longer lasting in outdoor environments
- Vandal resistant
- Anti corrosive for enhanced longevity
- Quick and easy installation
- Provides safety in case of power outages
- Ideal for low lit public areas and power conservation

Product Overview

Nominal Length 600mm

POWER	LUMENS	EFFICACY	CCT	DIMENSIONS	WEIGHT	SAP CODE	PRODUCT CODE
10W	1387 lm	139 lm/W	4000K	655 x 102 x 75mm	1.00kg 1.30kg 1.00kg 1.30kg	2002138 2002139 2002140 2002141	DURA-06 DURA-06-EM DURA-06-MS DURA-06-EM-MS
	1431 lm	143 lm/W	4500K				
	1386 lm	139 lm/W	5000K				
13W	1693 lm	130 lm/W	4000K				
	1768 lm	136 lm/W	4500K				
	1671 lm	129 lm/W	5000K				
15W	1953 lm	130 lm/W	4000K				
	2050 lm	137 lm/W	4500K				
	1921 lm	128 lm/W	5000K				
18W	2155 lm	120 lm/W	4000K				
	2356 lm	131 lm/W	4500K				
	2177 lm	121 lm/W	5000K				

Nominal Length 1200mm

POWER	LUMENS	EFFICACY	CCT	DIMENSIONS	WEIGHT	SAP CODE	PRODUCT CODE
18W	2425 lm	135 lm/W	4000K	1220 x 102 x 75mm	2.00kg 2.40kg 2.00kg 2.40kg	2002142 2002143 2002144 2002145	DURA-12 DURA-12-EM DURA-12-MS DURA-12-EM-MS
	2474 lm	137 lm/W	4500K				
	2474 lm	137 lm/W	5000K				
25W	3089 lm	124 lm/W	4000K				
	3242 lm	130 lm/W	4500K				
	3083 lm	123 lm/W	5000K				
30W	3706 lm	124 lm/W	4000K				
	3917 lm	131 lm/W	4500K				
	3726 lm	124 lm/W	5000K				
36W	4318 lm	120 lm/W	4000K				
	4627 lm	129 lm/W	4500K				
	4367 lm	121 lm/W	5000K				

EM = Emergency **MS** = Intellisensor

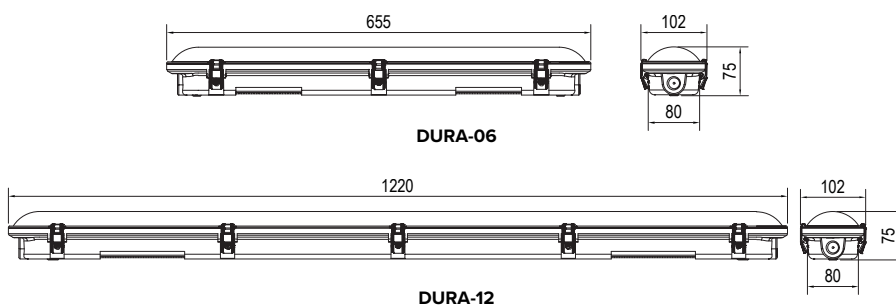
SPECIFICATIONS

Body Material: Polycarbonate	Driver: Integral
Diffuser Material: Polycarbonate (Opal)	Power Connection: PA14 Terminals
Body colour: Grey	Input: 220-240V, 50/60Hz
IP Rating: IP65	Electrical Classification: Class 2
IK Rating: IK08	Power Factor: >0.9
Beam Angle: 120°	Protection: Overload / Short Circuit
CRI: >80	Lifespan: >50,000hrs @Ta25°C (L70)
SDCM: <5	Operating Ambient Temperature: -10 to 40°C
	Dimming: Non-Dimmable

APPLICATIONS

General Industrial
Car Parks
Staircases
Basements

DIMENSIONS



FIND OUT MORE:

