

HANECO LIGHTING EMERGENCY LED EXIT BOX TYPE LIGHT INSTALLATION GUIDE

ESODO BOX 24M

Thanks for choosing our ESODO BOX 24M EXIT products.

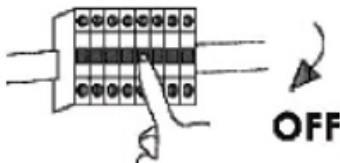
We strongly recommend that you read this manual carefully before installation.

Product Specifications

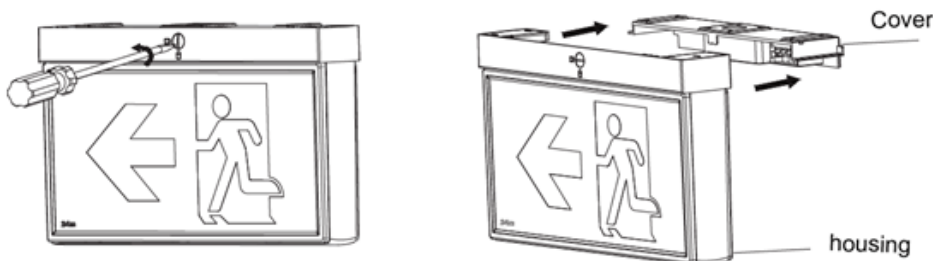
Product Code	Max power consumption when charging	IP Rating	Input Rating	Operating Temperature	Electrical Consumption	EM Time
ESOD-O24M-BOX	3W	IP20	220 - 240V AC 50/60Hz	0-45°	Class II	>2hr

Ceiling Mount

1. Switch-off main power

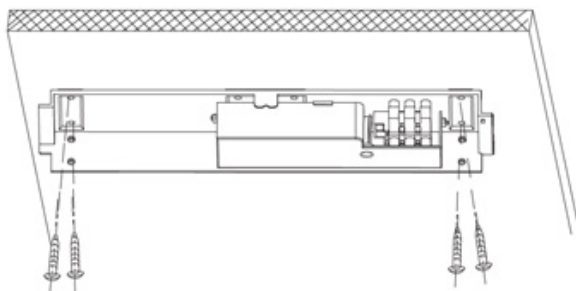


2. Unlock the mounting base by rotating the locker anticlockwise for 90 degrees.

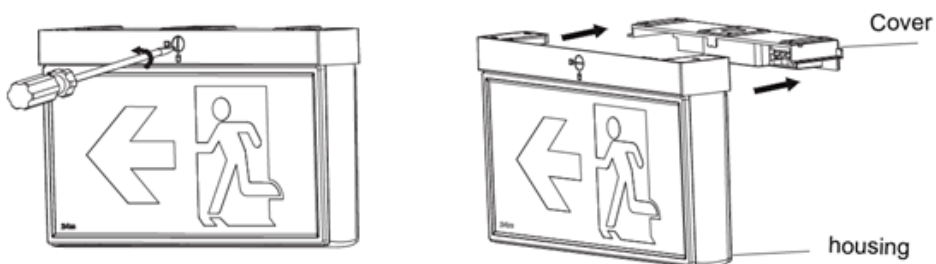


Cont.

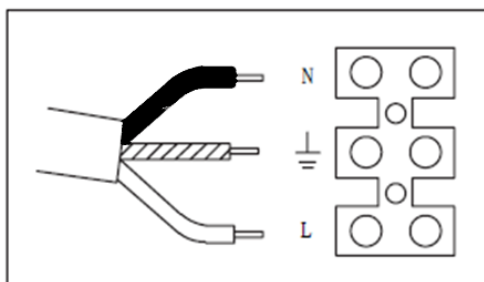
3. Bring the main cable in from the knock-out in the middle top. Then mount the base on desired surface.



4. Wire the fitting as illustrated in the diagram below

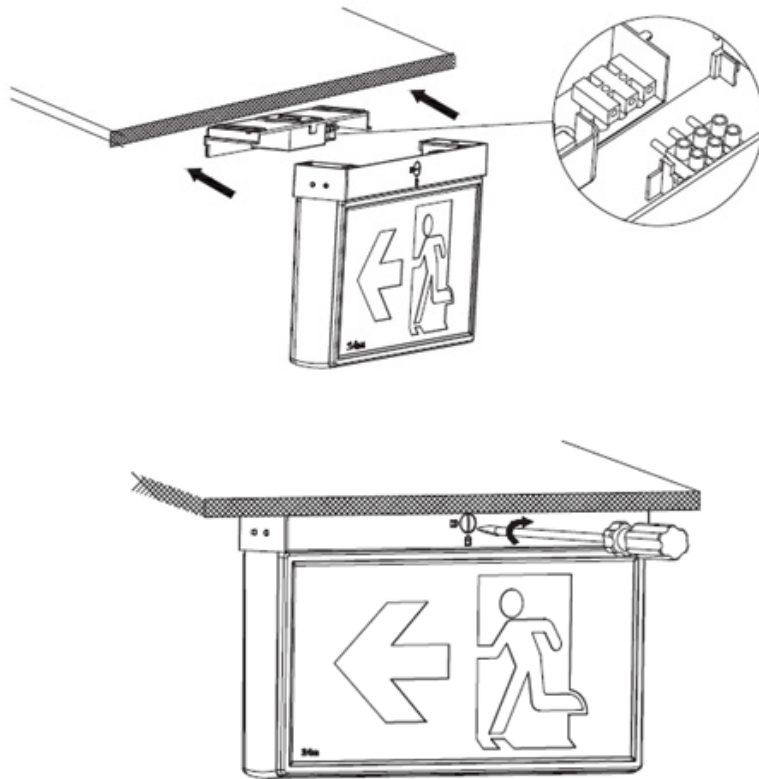


4. Wire the fitting as illustrated in the diagram below

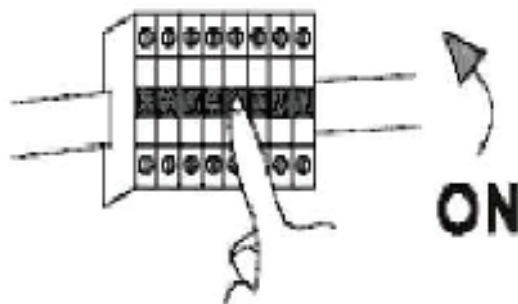


Cont.

5. Place the fitting back

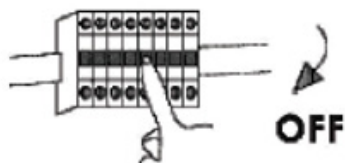


6. Test the installation in accordance with wiring rules and regulation, Switch on power.

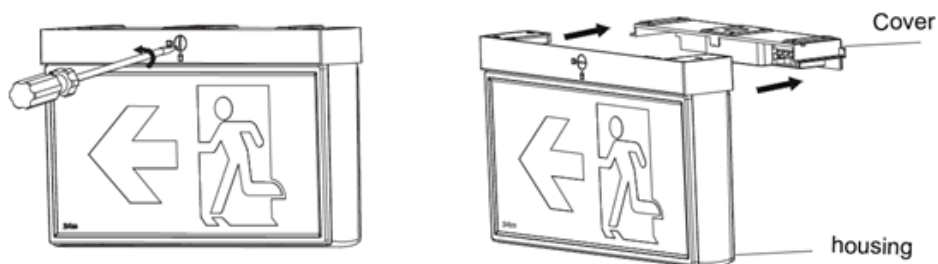


Wall Mount

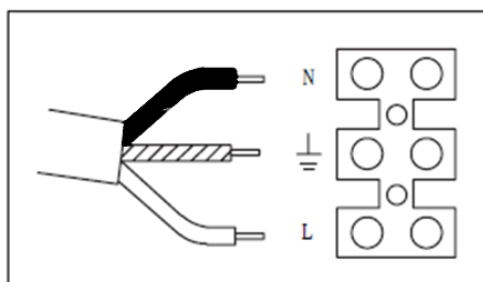
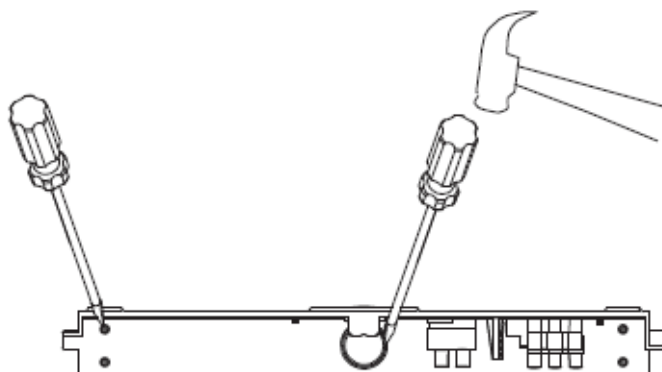
1. Switch-off main power



2. Unlock the mounting base by rotating the locker anticlockwise for 90 degrees.

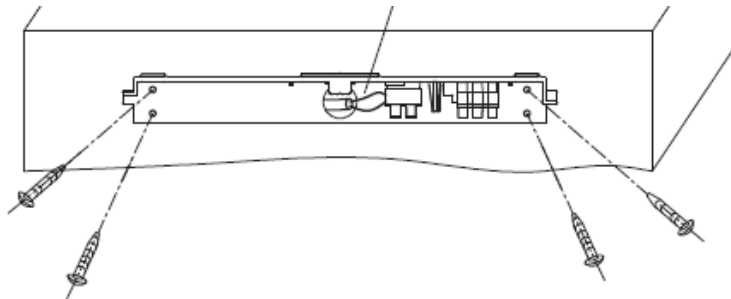


3. Knock out the cable entry in the middle at back and connect to the mains

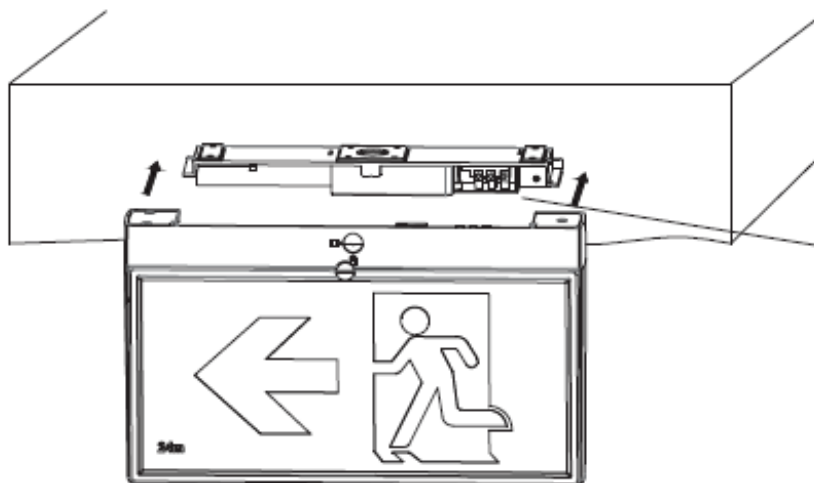


Cont.

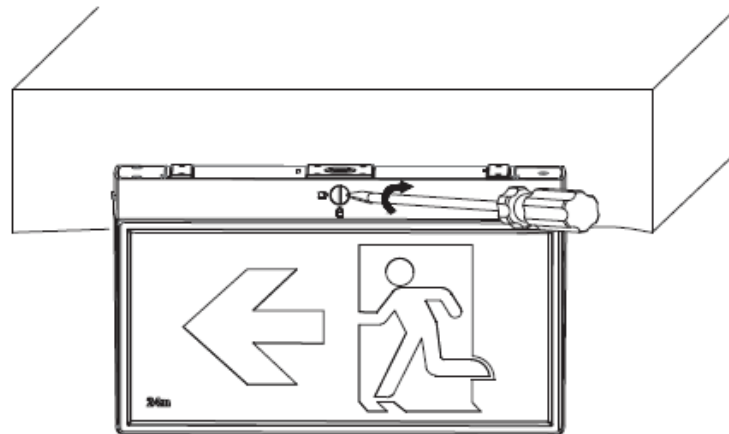
4. Mount the base on desired surface



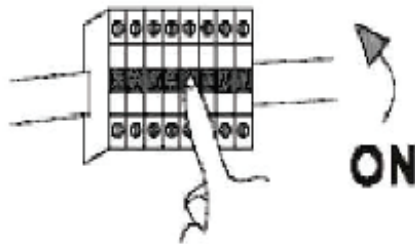
5. Replace the fitting and lock



Cont.



6. Test the installation in accordance with wiring rules and regulation, Switch on power.



WARNING

The luminaire must be installed by professional electrician.
Switch power off when wiring the luminaire.
Ensure input voltage conforms to the voltage range of product.
Ensure wires are securely connected.
Before switching on, ensure that all the wiring is correct.
The warranty is void if product is not installed according to the instructions.