

ESODO 24M RECESSED

Thanks for choosing our ESD24M-RC EXIT products.
We strongly recommend that you read this manual carefully before installation.

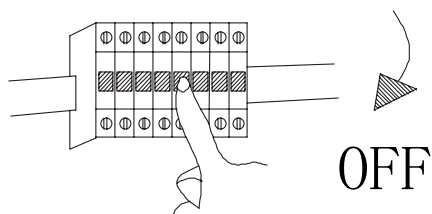
Product Specifications

PRODUCT CODE	MAX POWER CONSUMPTION (WHEN CHARGING)	IP RATING	INPUT RATING	OPERATING TEMPERATURE	ELECTRICAL CLASSIFICATION	EM TIME
ESD24M-RC	4W	IP20	220 - 240Va.c. 50/60Hz	0-45°	Class II	>1.5hr

The Haneco ESD24M-RC slim EXIT is a recessed ceiling mount LED fitting.
The ED24M-RC can be attached to a ceiling tile with the integrated clamping mechanisms.
Haneco ESD24M-RC comes with an 1.2m flex and plug.

Installation Instructions

1 Switch-off main power.



2 Choose the direction of installation.



Straight

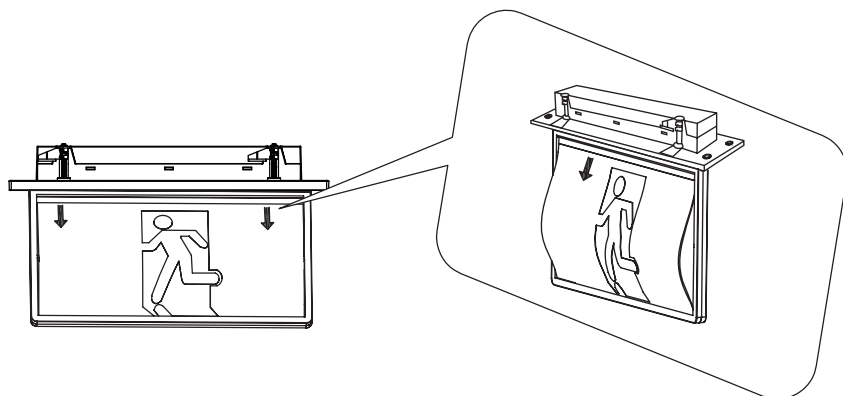


Right



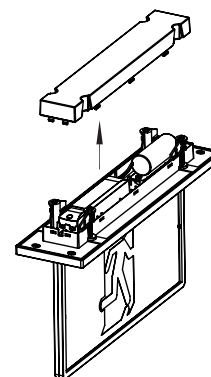
Left

3 Change the pictogram if necessary.



4 Cut a rectangular hole 320x72mm on the ceiling.

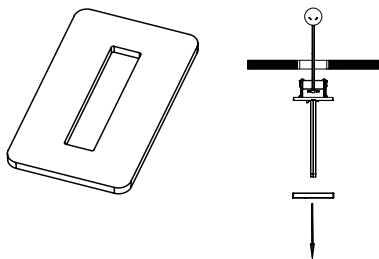
5 Remove top shell.



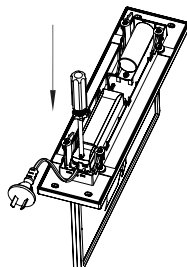
ESODO 24M RECESSED

Installation Instructions (continued)

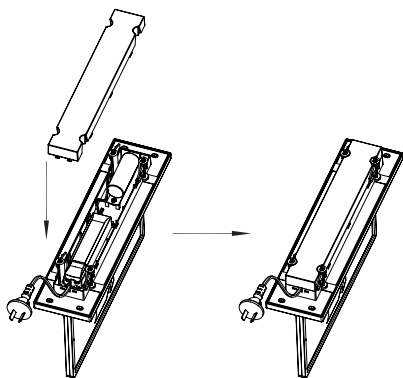
6 Remove cover plate.



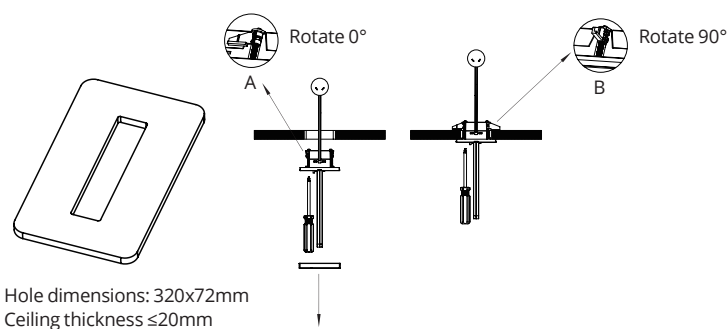
7 Route the power cord to the mains connection and connect the 240Va.c.



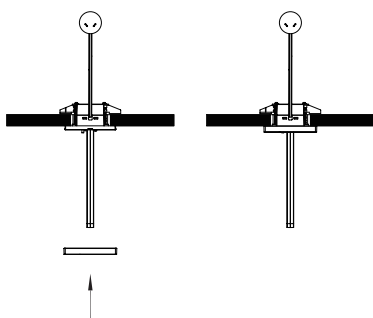
8 Replace top shell.



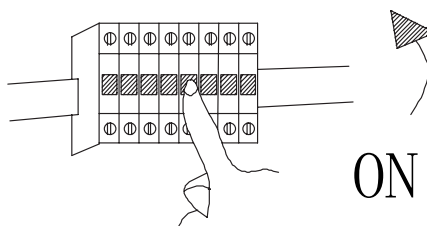
9 Insert ESD24M-RC into the cavity and tighten the clamping screws as illustrated below.



10 Install the cover plate.



11 Test the installation in accordance with wiring rules and regulation. Switch on power.



WARNING

The luminaire must be installed by a professional electrician.
Always switch the power off when wiring the luminaire.
Ensure input voltage conforms to the voltage range of product.
Ensure wires are securely connected.
Before switching on, ensure that all the wiring is correct.
Warranty is void if product is not installed according to the instructions.

Product Code: **ESD24M-RC**