

HANECO LED TRACK SPOTLIGHT INSTALLATION GUIDE

FOCI^{G2}



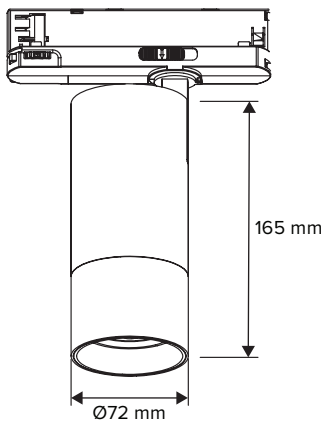
Please read these installation instructions carefully before installing or maintaining this equipment. The product is designed for installation and maintenance in accordance with relevant Australian standards (AS/NZS3000), by an authorised and licensed electrician. The installation instructions were correct at the time of print. To reflect changes in technology and Australian and New Zealand standards; Haneco reserves the right to amend the instructions without notice. Updated guidelines can be found on relevant brand web site.

PRODUCT NAME: FOCI^{G2} LED Track Spotlight

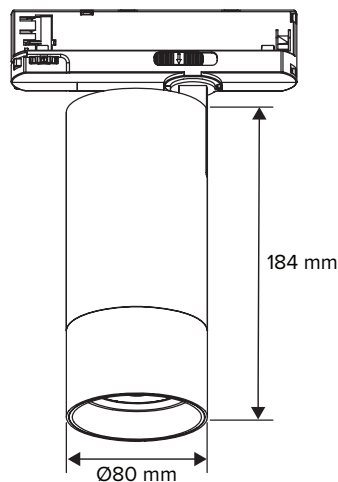
Issue Date: 10/09/2024

Product code	FOCI24W-B / FOCI24W-W	FOCI35W-B / FOCI35W-W
Power	12 W, 15 W, 20 W, 24 W	24 W, 28 W, 31 W, 35 W
CCT	2700 / 4000 / 6000 K	
Electrical Classification	Class II	
IP rating	IP20	
CRI	> 90	
Flicker-free	Yes	
Driver	Integral	
Nominal voltage & Frequency	220-240Vac,50/60Hz	
Power factor	> 0.9	
Surge protection rating	Overload / Short Circuit	
Inrush current	24A @ 6.5uS	26A @ 6.5uS
Rated operating ambient temperature	-20 to 35°C* *Luminaire is only to be installed outside arms reach	
Electrical connection	Universal 3 Circuit Track	
Installation type	Universal Track	
Warranty	5 yrs	

Line diagrams and dimensions



FOCI24W-B
FOCI24W-W



FOCI35W-B
FOCI35W-W

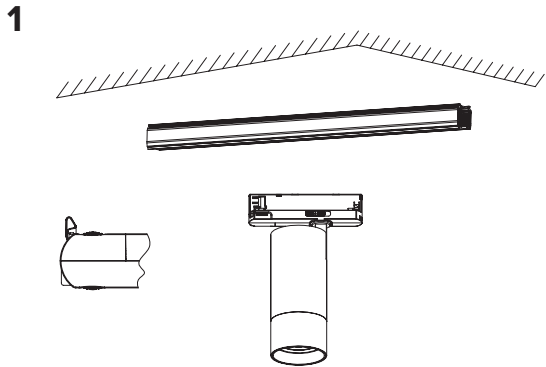


HANECO LED TRACK SPOTLIGHT INSTALLATION GUIDE

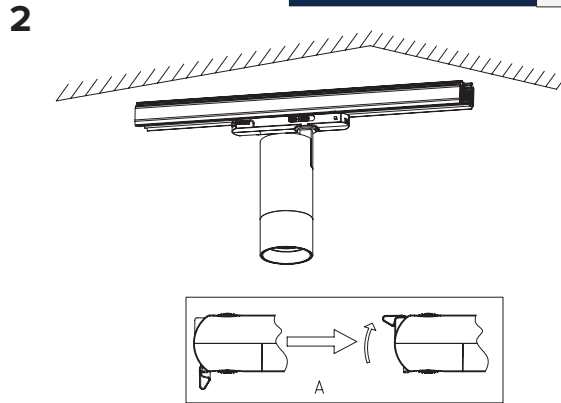
FOCI^{G2}

Installation

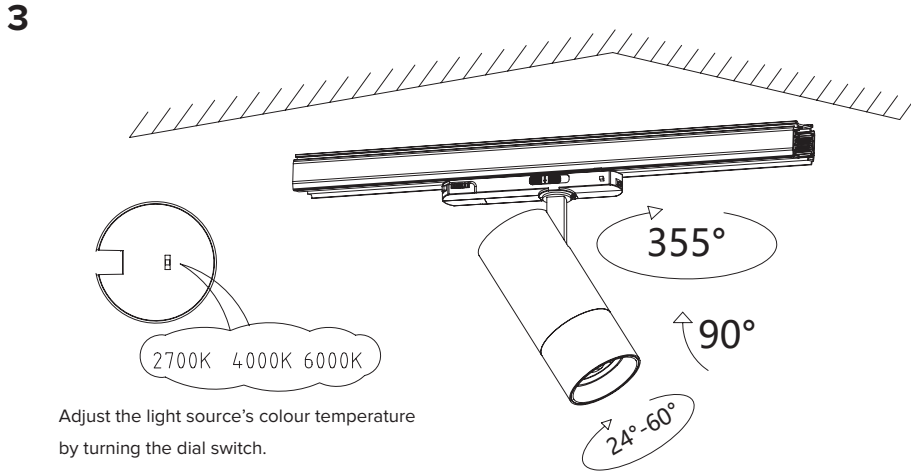
Fitting Code:	FOCI24W-B
	FOCI35W-B
	FOCI24W-W
	FOCI35W-W



Before installation, make sure the contact spring on the track light's pull handle is retracted inside the head of the track light. Then, insert the head of the track light into the track.

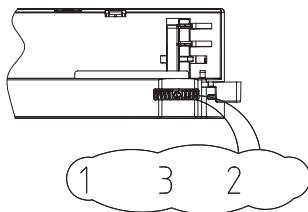


After inserting the head of the track light into the track, pull the A handle of the track light head in the direction indicated by the arrow.

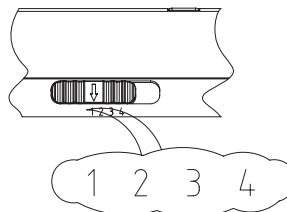


Adjust the light source's colour temperature by turning the dial switch.

Power setting	FOCI24W-B	FOCI35W-B
	FOCI24W-W	FOCI35W-W
1	12 W	24 W
2	15 W	28 W
3	20 W	31 W
4	24 W	35 W



Rotate the guide track head of the light, aligning the numbers on the dial with the corresponding circuit.



Rotate the track light head dial to adjust the power of the light. Adjust the colour temperature of the light source using the dial switch.