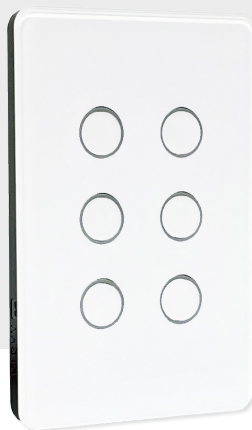


HESPERUS™ Series

Push Remote Switch

HRSMB



1 to 6-button push remote control switch

FEATURES

- Slim (11mm plate depth), contemporary glass-look design with choice of 2 colours
- UV stabilised to avoid discolouring
- Soft push buttons (with audio feedback) can be programmed to perform a variety of in-room and whole home control functions, for remote control of all KASTA devices
- Proximity sensor activates the device for use
- Button labelling: choose pictogram button caps for a personalised design
- Flexibility to program and re-program during and after commissioning
- 8-way multiway control with KASTA dimmer/switch
- Short press for ON/OFF control, long press for dimming or fan speed control
- Timer (when enabled) supports 2 modes; ON>OFF and OFF>ON and retriggered on a button press
- Reliable Bluetooth® mesh network connectivity to all your KASTA devices
- Fits standard first fix mounting accessories (e.g. C-clips, nail brackets, wall boxes). Flush mounting centres (not recessed) for quicker installation. Backed off terminal screws and deep tunnels allow fast fitment of cables. Insulated screw caps hinged to the grid plate to provide IP2X rating on mounting screws.
- iOS and Android app setup and control
- 3 year warranty

ORDERING CODE

H1RSMB-WH (number of buttons)	WH (plate finish)
1 - One button configuration 2 - Two button configuration 3 - Three button configuration 4 - Four button configuration 5 - Five button configuration 6 - Six button configuration	WH - White BK - Black

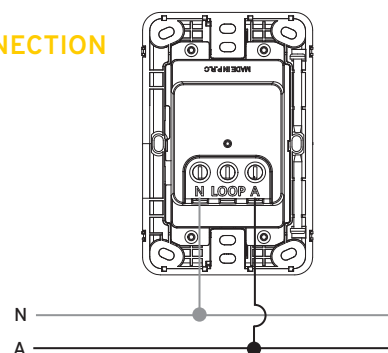
SPECIFICATIONS

Power Supply	220-240V a.c. 50Hz
Operating Ambient Temperature	-20 to 40°C
IP Rating	IP20
Plate Depth	11mm
Terminal Size	16mm ² (accommodates 4x2.5mm ² cables)
Terminal Screw Type	Flat Terminal Screw
Mounting Points	84mm / 100mm and Corners
Mounting Screw Type	Combination Flat / Philips Head Screws
Feedback	Audio (selectable through the KASTA app)
Frame Colour (Finish)	Black (Matte)
Plate Colour (Finish)	White / Black (Transparent)
Housing Material	Acrylic / Polycarbonate (PC)
LED Indicators	Blue, White, Green (selectable through the KASTA app)
Standards Complied	AS/NZS 62368.1, AS/NZS 4268, AS/NZS CISPR 32

COLOURS



CONNECTION



DIMENSIONS

