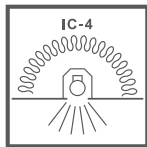


## HABITAT MINI

Thanks for choosing our HABITAT Downlight products.  
We strongly recommend that you read this manual carefully before installation.



### IC-4

- Suitable for residential or commercial use
- Fitting can be covered with building insulation
- Can be used where air transfer is not permitted or not desired between living space & roof space

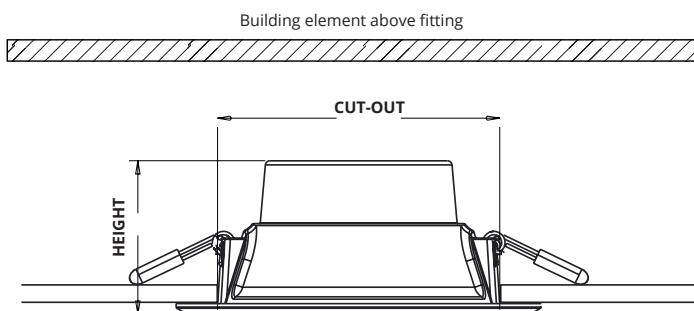
Nr.	INFO & WARNING	
a	The minimum clearance distance from the <b>top</b> of the luminaire to any normally flammable building element (mm)	50mm
b	The minimum clearance distance from the <b>top</b> of the luminaire to any building insulation (mm)	0mm
c	The minimum clearance distance from the <b>side</b> of the luminaire to any normally flammable building element (mm)	25mm
d	The minimum clearance distance from the <b>side</b> of the luminaire to any building insulation (mm)	0mm

### Installation Instructions

1. Cut 70mm hole in the ceilings according to the table below:

PRODUCT CODES	CUT-OUT	HEIGHT	FACE DIAMETER	IC RATING TA25°
HABITAT-FL-MINI	70mm	32mm	105mm	IC-4

2. Select CCT and power settings.
3. Insert plug and cable through the cut-out into the ceiling cavity and plug into a pre-wired socket outlet inside the ceilings
4. Fold mounting clips up to the sides of the luminaire and insert luminaire through the cut-out. The mounting clips will retract onto the rear face of the ceiling and hold the luminaire in position.
5. Insulation can only be abutted against normal flammable materials including building insulation and can be covered in normal use.



### ! WARNING

- If the external flexible cord of this luminaire is damaged, it shall be exclusively replaced by the manufacturer or by a service agent or licenced electrician in order to avoid a hazard.
- Non-user replaceable light source. The light source contained in this luminaire shall only be replaced by the manufacturer or by a service agent or licenced electrician.
- The diffuser is integral to the luminaire and cannot be removed without being permanently damaged.
- The luminaire must be installed by professional electrician.
- Switch power off when wiring the luminaire.
- Ensure input voltage conforms to the voltage range of product.
- Ensure wires are securely connected.
- Before switching on, ensure that all the wiring is correct.
- The warranty is void if product is not installed according to the instructions.

Product Code: **HABITAT-FL-MINI**

