

# Haneco 75W Constant Voltage Dimmable Driver

HD-0075-12V

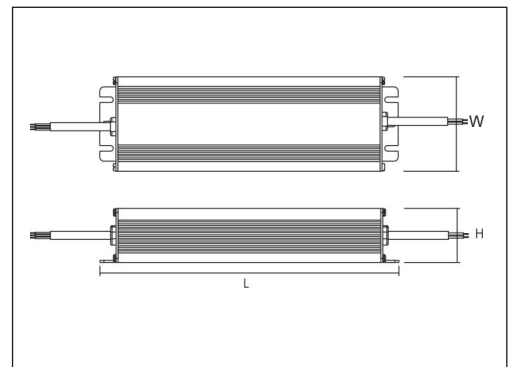
PHOTO

## PRODUCT SPECIFICATIONS

Supply Voltage	<b>100-240V</b>
Supply Frequency	<b>50/60Hz</b>
Max Output	<b>75W</b>
Output Voltage	<b>12V</b>
Output Current	<b>6.25A</b>
Power Factor	<b>0.95</b>
Ambient Temp	<b>-20°C to 50°C</b>
Max Case Temp	<b>75°C</b>
Cable	<b>1.2M Flex&amp;Plug</b>
IP Rating	<b>67</b>
Dimensions	<b>L186xW64xH39mm</b>
Weight	<b>780g</b>



DIMENSIONS



Subject to change without notice, errors and omission excepted. Always make sure to use the most recent release.