

# Haneco 75W Constant Voltage Driver

HN-0075-24V-IP65

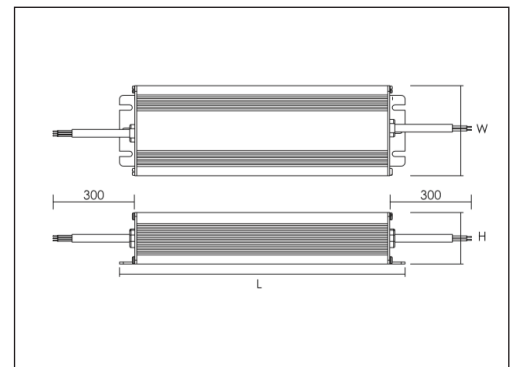
PHOTO

## PRODUCT SPECIFICATIONS

Supply Voltage	<b>220-240V</b>
Supply Frequency	<b>50/60Hz</b>
Max Output	<b>75W</b>
Output Voltage	<b>24V</b>
Output Current	<b>3.1A</b>
Power Factor	<b>0.95</b>
Ambient Temp	<b>-20°C to 50°C</b>
Max Case Temp	<b>85°C</b>
Cable	<b>1.2M Flex&amp;Plug</b>
IP Rating	<b>20</b>
Dimensions	<b>L186xW64xH39mm</b>
Weight	<b>350g</b>



DIMENSIONS



Subject to change without notice, errors and omission excepted. Always make sure to use the most recent release.