

HN-0240-24V

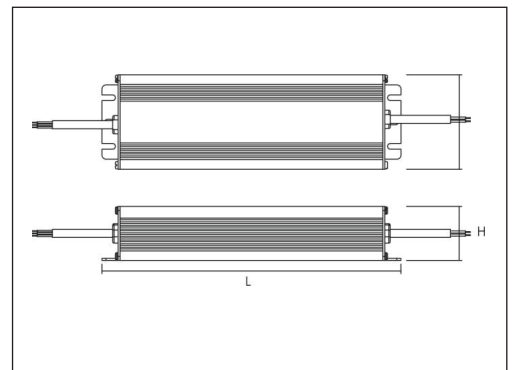
PHOTO

PRODUCT SPECIFICATIONS

Supply Voltage	220-240V
Supply Frequency	50/60Hz
Max Output	240W
Output Voltage	24V
Output Current	10A
Power Factor	0.95
Ambient Temp	-20°C - 50°C
Max Case Temp	95°C
Cable	1.2M Flex&Plug
IP Rating	67
Dimensions	L280xW72xH40mm
Weight	1200g



DIMENSIONS



Subject to change without notice, errors and omission excepted. Always make sure to use the most recent release.