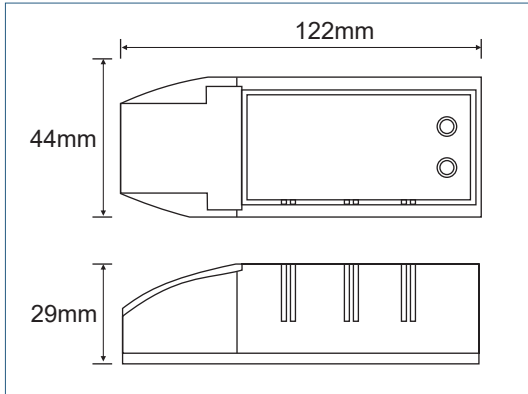




Dimmable LED Driver

Product Features:

- Super thin design
- Wide Output Voltage range
- Constant current driver
- Independent compact design
- Safe no-load operation
- Overload & short circuiting protection
- Overheating protection
- Simple installation
- SELV equivalent
- Protection class II
- PIsuppression is accordance with the new EMC standard (EM55015:2006+A1:2007+A2:2009)



Model No.	Input Voltage	Max. Output	Output Voltage	Output Current	Power Factor	Ambient Temperature	Casing Temperature	Dimensions LxWxH	Weight	Wiring Diagram
HN-1318W-0350	220-240	15W	20-42V	350mA	0.92	-20...+65	75	122x44x29	280g	A