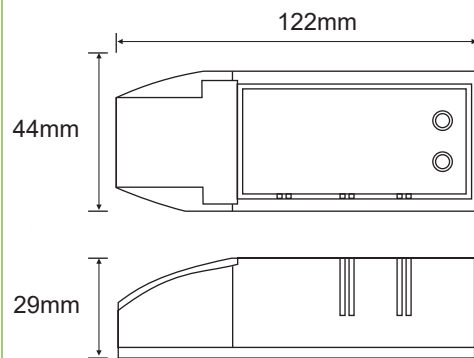




500mA Phase-cut Dimmable Driver

HN-1318W-0500 DIMMABLE

Indoor(IP20) Constant
Current 500mA 20W LED
Driver



SPECIFICATIONS

Supply Voltage	220-240VAC
Supply Frequency	50/60Hz
Max. Output	20W
Output Voltage	25-42VDC
Output Current	500mA
Power Factor	0.95
Ambient Temperature	-20° to 50°
Max. Case Temperature	70°C
Cable	1.0m Flex & Plug
IP Rating	IP20
Dimensions (LxWxH)	122x44x29mm
Weight	120g