

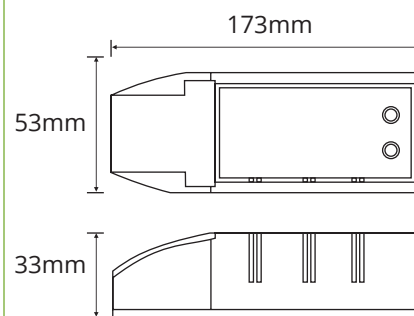


Dimmable Constant Current Driver

HN-1950W-0700 40-60VDC
SAP CODE: 2000288

700mA, 28-42W, 40-60V
dimmable constant
current driver

Dimmable constant current
LED driver for TRIPROOF
40W and shoplights with
700mA LED input current.



ELECTRICAL

Input Voltage	220-240V
Min. Output Voltage	40V
Max. Output Voltage	60V
Min Output Watts	26W
Max. Output Watts	44W
Output Current	700mA
Power Factor	0.90
Ambient Temperature	-20° to 50°
Max. Casing Temperature	75°
Dimensions (L x W x H)	173x 53x 33mm
Weight	280g