



ATMOS™ Series

Unison™ Isolators

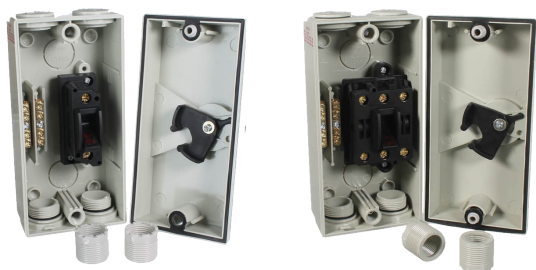
ISLS

Weatherproof outdoor isolators

FEATURES

- High ingress protection - IP66 rated
- Pad lockable in off position for added protection (suits 6mm shackle)
- UV stabilised to avoid discolouring
- Multiple mounting facilities
- Switches mounted on base for stability
- Terminals suit 4 x 2.5mm² cable
- Earth and Neutral cables secured reliably with two screws on both line and load sides
- Colour coded terminals for ease of identification
- Entries: 4 x 25mm threaded. 2 x 25mm entry on rear
- 2 x Plain Reducer 25/20 included
- Covers secured and removed with two fast-action retention screws
- 5 year warranty

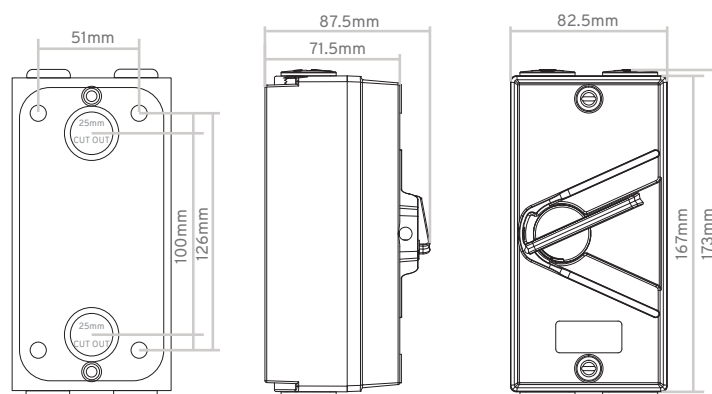
CONNECTION



SPECIFICATIONS

Isolating Switch	Suitable for isolation
Rated Operational Voltage	250VAC(1P) / 500VAC(3P), 50Hz
IP Rating	IP66
Rated Insulation Voltage (Ui)	500v
Rated impulse withstand voltage (Uimp)	4KV
Rated Duty	Uninterrupted Duty
Rated Short-time withstand current and duration	1.2kA/1s
Rated Short-time withstand current and duration	2kA
Terminal Size	16mm ²
Terminal Screw Type	Combination Flat/Phillips head
Plate Colour (Finish)	Grey (Gloss)
Housing Material	Polycarbonate (PC)
Standards Complied	AS 60947.3, AS 3133

DIMENSIONS



PRODUCT CODE	THERMAL CURRENT RATING	DESCRIPTION
ISLS20A1P	20A	Unison Atmos Weatherproof Isolator, 1 pole, Large, 20A 250V a.c., IP66, Grey, AC23, M.100
ISLS35A1P	35A	Unison Atmos Weatherproof Isolator, 1 pole, Large, 35A 250V a.c., IP66, Grey, AC23, M.180
ISLS63A1P	63A	Unison Atmos Weatherproof Isolator, 1 pole, Large, 63A 250V a.c., IP66, Grey, AC23, M.200
ISLS20A3P	20A	Unison Atmos Weatherproof Isolator, 3 pole, Large, 20A 250V a.c., IP66, Grey, AC23, M.100
ISLS35A3P	35A	Unison Atmos Weatherproof Isolator, 3 pole, Large, 35A 250V a.c., IP66, Grey, AC23, M.140
ISLS63A3P	63A	Unison Atmos Weatherproof Isolator, 3 pole, Large, 63A 250V a.c., IP66, Grey, AC23, M.200