

Remote Switch 5-Input Module

KASTA-5RSIBH



Smart remote switch input module for the wireless control of KASTA devices from a wall switch with up to five individual mechanisms or a traditional 240V a.c. motion sensor

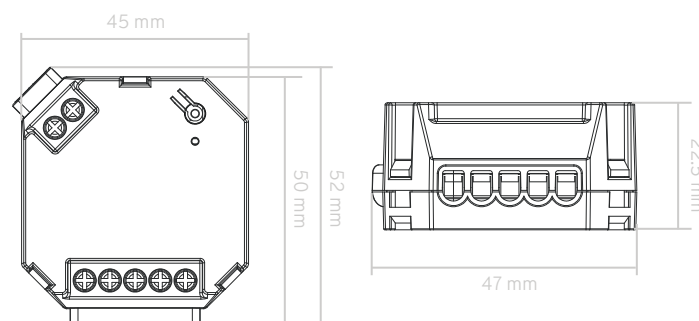
FEATURES

- All 5 inputs support 2 modes of operation - toggle input and momentary switch input
- Toggle input mode - used with toggle switch mechanisms, the load output from a sensor or relay output from another source (e.g. Assa Abloy® VingCard® system)
- Momentary switch input - used with momentary switch mechanism (short press and long press) or momentary relay output from another source
- Reliable Bluetooth® mesh network connectivity to all KASTA devices
- 8-way multiway control
- Built-in over-voltage protection
- Supports core KASTA functionality - control devices, groups, scenes, timers and scheduling
- Suits all Australian standard wall plates using a momentary or toggle mechanism
- iOS and Android app setup and control
- 3 year warranty

SPECIFICATIONS

Power Supply	220-240V a.c. 50Hz
Operating Ambient Temperature	-20 to 50°C
IP Rating	IP20
Physical Connection Type	Terminals
Wiring Connections	Active, Neutral, Momentary Mechanism or Sensor Load Output
Input Voltage (S1-S5)	240V a.c.
Housing Material	Polycarbonate (PC)
Standards Complied	AS/NZS 60950.1, AS/NZS CISPR 15, AS/NZS 4268

DIMENSIONS



CONNECTION

