

1-10V Dimmer

D1-10VIBH

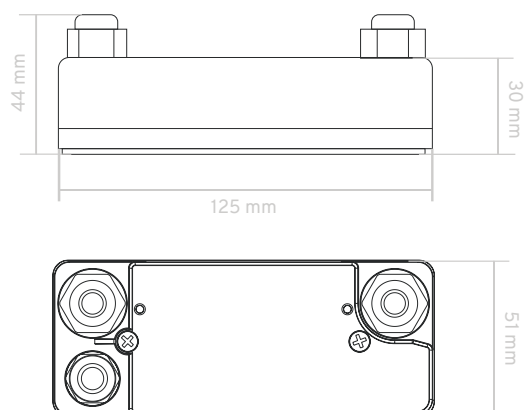


Smart 1-10V dimmer for dimming control of LED highbay lighting

FEATURES

- 1-10V dimmer (suits luminaires with 1-10V input control)
- Used in combination with the KASTA 1-10V Daylight Sensor for daylight harvesting control of LED highbays
- Reliable Bluetooth® mesh network connectivity to all KASTA devices
- 8-way multiway control
- High temperature rated
- IP65 rated
- Over temperature protection
- Includes 2m flex and plug lead
- Installed onto an LED highbay using the HANECO Multi-purpose Sensor Bracket (product code: SENSOR-BRKT)
- iOS and Android app setup and control
- 3 year warranty

DIMENSIONS



SPECIFICATIONS

Power Supply	220-240V a.c. 50/60Hz
Operating Ambient Temperature	-20 to 50°C
IP Rating	IP65
Physical Connection Type	3-pin plug, Fly Leads
No Load Standby Power	<1W
Wiring Connections	Active, Neutral, Earth (3-pin plug), 1-10V Dimmer Output & Momentary Mechanism
Momentary Input (T1/T2)	Local signal input only (not 240V a.c.)
Maximum Output Current	40mA
Maximum Number of Drivers	30
Dimming Method	1-10V Dimming
Dimming Range	0-100%
Weight	355g
Housing Material	Polycarbonate (PC)
Standards Complied	AS/NZS 60669.2.1, AS/NZS 60669.1, AS/NZS CISPR 15, AS/NZS 4268

CONNECTION

