

# Dimmer Surface Socket

KBSKTD350



Smart dimmer socket plug base (phase cut trailing edge) that can be ceiling or surface mounted

## FEATURES

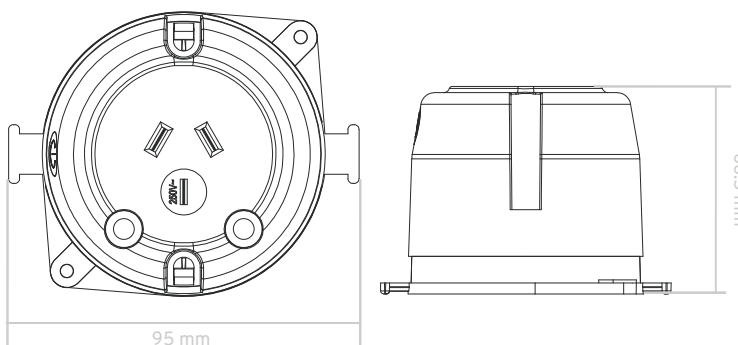
- Max. load 350W
- Suits 3 pin plug
- Reliable Bluetooth® mesh network connectivity to all KASTA devices
- Can connect up to multiple circuits (within rated power rating)
- LED status indicator
- Reset button
- IPA stud provision for circuit identification
- Supports core KASTA functionality - control devices, groups, scenes, timers and scheduling
- Striking colour for easy identification in roof space
- Transparent nail plate for easy inspection of connections
- Multiple fixing points including external tabs for cable ties, clouts and screws
- Combination Flat & Philips terminal head screws
- Terminals to accept up to 4 x 2.5mm<sup>2</sup> cables
- iOS and Android app setup and control
- 3 year warranty

## SPECIFICATIONS

Power Supply	220-240V a.c. 50Hz
Operating Ambient Temperature	-20 to 40°C
IP Rating	IP20
Thermal Derating	40 to 60°C (350W-250W)
Wiring Connections	Active, Load, Neutral, Earth & Loop
LED Load Wattage	350W, 1.4A*
Dimming Method	Phase Cut Trailing Edge
Dimming Range	2-100%
Cutout	Ø90mm
Housing Material	Polycarbonate (PC)
Standards Complied	AS/NZS 3112, AS/NZS 3100, AS/NZS 60669.2.1, AS/NZS 60669.1, AS/NZS CISPR 15

\*Maximum load is based on Haneco Dimmable LED drivers. Other LED loads may not be compatible. Contact the manufacturer for compatibility advice.

## DIMENSIONS



## CONNECTION

