

Daylight Sensor

SL02AB-BH

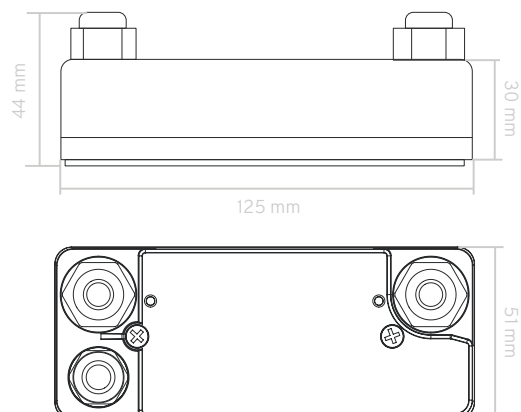


Smart daylight sensor that works with the Smart 0-10V Dimmer for daylight harvesting control of LED highbay lighting

FEATURES

- Mains powered ambient daylight sensor
- Used in combination with the KASTA 0-10V Dimmer for daylight harvesting control of LED highbays
- Reliable Bluetooth® mesh network connectivity with multiple KASTA 0-10V dimmers for group control
- Use the KASTA app to disable the sensor for manual control of lighting via the app
- High temperature rated
- IP65 rated
- Includes 2m flex and plug lead
- Installed onto an LED highbay using the HANECO Multi-purpose Sensor Bracket (product code: SENSOR-BRKT)
- iOS and Android app setup and control
- 3 year warranty

DIMENSIONS



SPECIFICATIONS

Power Supply	220-240V a.c. 50/60Hz
Operating Ambient Temperature	-20 to 50°C
IP Rating	IP65
Physical Connection Type	3-pin plug
No Load Standby Power	<1W
Wiring Connections	Active, Neutral & Earth (3-pin plug)
Maximum Operation Current	5mA
Maximum Number of paired KASTA 0-10V Dimmers	10
Weight	255g
Housing Material	Polycarbonate (PC)
Standards Complied	AS/NZS 60669.2.1, AS/NZS 60669.1, AS/NZS CISPR 15, AS/NZS 4268

CONNECTION

