

LUME D40

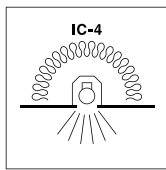
Thanks for choosing our LUME1WD40 LED Emergency Light.
We strongly recommend that you read this manual carefully before installation.

Installation

The LUME is tested to AS/NZS60598.2.2:2001 and AS/NZS2293.3 standards.

Insulation materials used to abut and cover the luminaire must meet the following requirements:

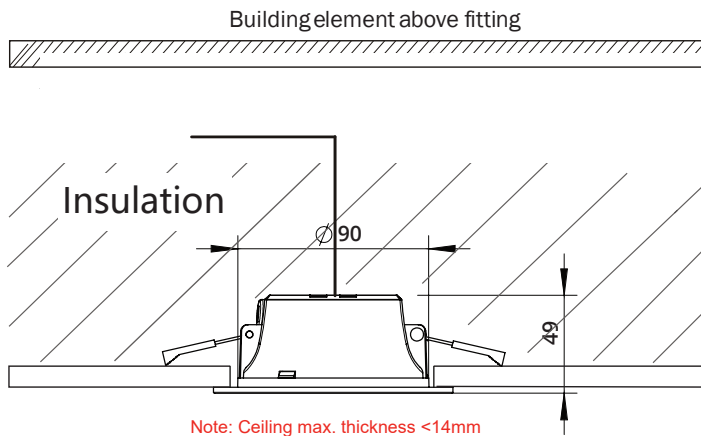
1: Be of a type that can maintain its dimensions and structural integrity when exposed to the maximum surface temperatures of the class of luminaire, being 90 °C and must withstand a 30s needle flame test carried out in accordance with AS/NZS 6095.11.5 with the flame applied to all surfaces of the sample.



ALLOWED TO SIDE ABUT TO TIMBER STRUCTURE OR
COVERED UNDER THERMAL INSULATION

1. Cut 92mm diameter hole.
2. Insert plug into socket.
3. Hold mounting clips up to sides of emergency light and insert into cut-out so that springs retract onto rear surface of ceiling.

INSTALLATION DIAGRAM



Technical Data

Rated power supply	240-265 VAC 50/60HZ
Power	0.5W (Standby), 1.5W (Max)
Charge time	16 hours
Discharge duration	2 hours
Test facility	Manual test
Operation	Non-maintained
Response time	<0.5S
Degree of protection	IP20
Insulation class	Class II
Material	Polycarbonate
Ambient temperature	0...+40°C
Battery type	LiFePO4 3.2V 3.3Ah
Emergency classification	C0:D40, C90:D40

WARNING

The luminaire must be installed by professional electrician.
Switch power off when wiring the luminaire.
Ensure input voltage conforms to the voltage range of product.
Ensure wires are securely connected.
Before switching on, ensure that all the wiring is correct.
The warranty is void if product is not installed according to the instructions.

Product Code: **LUME1WD40**