

HANECO LIGHTING LED INSTALLATION GUIDE



LUME D63 LED EMERGENCY LIGHT

PRODUCT CODE: LUME3WD63

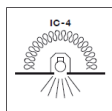
**Product must be installed by a qualified electrician.
Prior to installation ensure power is isolated to prevent electrical shock.**

INSTALLATION

The LUME is tested to AS/NZS60598.2.2:2001 and AS/NZS2293.3 standards.

Insulation materials used to abut and cover the luminaire must meet the following requirements:

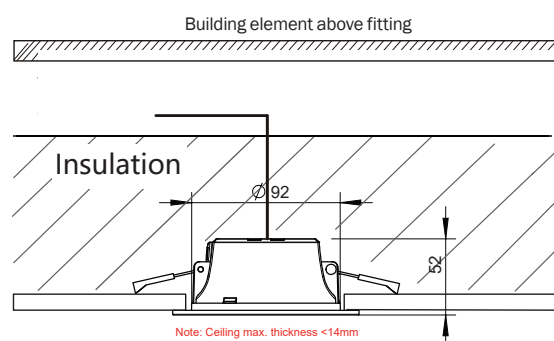
1: Be of a type that can maintain it's dimensions and structural integrity when exposed to the maximum surface temperatures of the class of luminaire, being 90°C and must withstand a 30s needle flame test carried out in accordance with AS/NZS 6095.11.5 with the flame applied to all surfaces of the sample.



ALLOWED TO SIDE ABUT TO TIMBER STRUCTURE OR COVERED UNDER THERMAL INSULATION

1. Cut 92mm diameter hole.
2. Insert plug into socket.
3. Hold mounting clips up to sides of emergency light and insert into cut-out so that springs retract onto rear surface of ceiling.

INSTALLATION DIAGRAM



TECHNICAL DATA

Rated power supply	240-265 VAC 50/60HZ
Power	0.5W (Standby), 4.0W (Max)
Charge time	16 hours
Discharge duration	2 hours
Test facility	Manual test
Operation	Non-maintained
Response time	<0.5S
Degree of protection	IP20
Insulation class	Class II
Material	Polycarbonate
Ambient temperature	0...+40°C
Battery type	LiFePO4 3.2V 3.3Ah
Emergency classification	C0=D63 / C90=D63

