



METEOR EVO

M12W125R-EV-BK

SAP CODE: 2002629

Slim, diffuser design

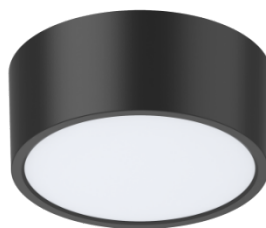
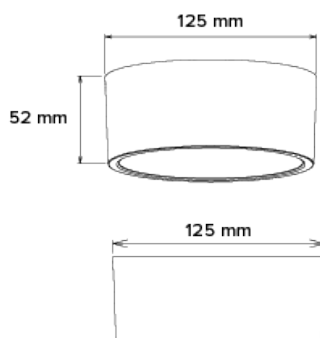
METEOR EVO is a surface mounted tubular luminaire featuring an opal diffuser that delivers uniform, soft illumination.

Designed for visual comfort and aesthetic versatility, it is ideal for corridors, entries, balconies, benchtops, and general ceiling-mounted lighting.

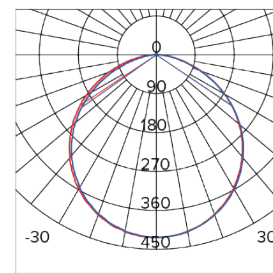
APPLICATIONS

Accent / Display / Feature Lighting,
Balconies / Patios / Verandahs,
Bathrooms, Cocktail Lounges, Entrances,
Food Courts, Showrooms, Restaurants /
Cafes

DIMENSION DIAGRAMS



PHOTOMETRIC DIAGRAM



Unit: cd

— C0/180 112.3deg

— C90/270 110.8deg

Photometric diagram shown is for 4000K output.

KEY INFORMATION

Power	10 / 12 W
Lumen Output	10W: 926 / 1000 / 951 lm 12W: 1077 / 1200 / 1131 lm
Cutout Size	Not Applicable
Mounting Type	Surface Mount
Dimming Type	Phase-Cut Dimmable (Trailing Edge, 1-100%)
Body Colour	White
IP Rating	IP54
IC Rating	Not Applicable
Operating Ambient Temp.	-20 to 40°C
Connection Type	PA16
Driver	Integral
Warranty	5 yrs

PHOTOMETRIC

Efficacy	10W: 103 / 117 / 108 lm/W 12W: 98 / 115 / 104 lm/W
CCT	3000 / 4000 / 5000 K
CRI	> 80
SDCM	<6
UGR	Not Applicable
Beam Angle	110°
Flicker-Free	Yes
Projected Lifespan	102,000 hrs @25°C L80

ELECTRICAL

Input Voltage	220-240Vac, 50-60Hz
Driver Output Voltage	55-78VDC
Driver Output Current	115/140 mA
Power Factor	> 0.9
Electrical Classification	Class II
Surge Protection	Overload / Short Circuit

OTHERS

Adjustable Angle	Not Applicable
Body Material	Polycarbonate
Diffuser Material	Polycarbonate
Rebate Scheme Approvals	Not Applicable
HACCP Approval	No
Weight	0.25 kg
Dimensions	Ø125 x 52 mm