



MARS

Commercial Downlights

Premium, precise light control.

The MARS range combines multifaceted reflector technology and clear lenses to create brilliance as well as low glare without compromising performance for high end retail environments.

Features

- Multifaceted specular reflector
- Alternative to halogen and metal halide
- Aluminium housing
- Remote phase-cut dimmable driver
- Complete with flex and plug



CLASS 2
Double Insulated



DIM
Phase Cut
Dimming



IP40
Ingress
Protection
Rating



UGR<16
Beam
Angle



50,000hr
Expected
Lifetime



5yr
Warranty

Benefits

- Reduced glare, visible brilliance
- Energy savings and sustainability
- Improved thermal characteristics
- Enhanced comfort and energy saving
- Quick and easy installation

POWER	LUMENS	EFFICACY	CCT	CUTOUT	WEIGHT	SAP CODE	PRODUCT CODE
20W	1420 lm	71 lm/W	4000K	Ø140mm	1.00kg	2000336	MARS20W160R4K
30W	2520 lm	84 lm/W	4000K	Ø170mm	1.20kg	2000338	MARS30W190R4K
40W	3470 lm	87 lm/W	4000K	Ø190mm	1.32kg	2000340	MARS40W215R4K

SPECIFICATIONS

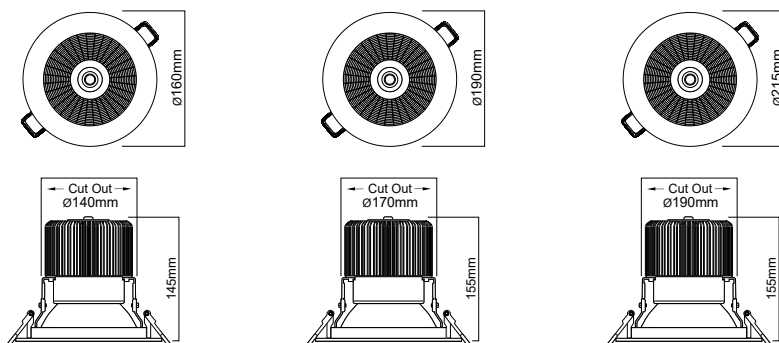
Body Material:	Aluminium	Driver:	Remote
Diffuser Material:	Polycarbonate (Clear)	Power Lead:	1.1m Flex & Plug
Reflector:	Multifaceted	Link Lead:	350mm Cable with Flat JST Connector
Fascia colour:	White: RAL9010	Input:	220-240V, 50/60Hz
IP Rating:	Front: IP40 Body: IP40	Electrical Classification	Class 2
Beam Angle:	50°	Power Factor:	>0.9
CRI:	>80 (>90 option)	Protection:	Overload / Short Circuit
UGR:	<16	Lifespan:	>50,000hrs @Ta25°C (L70)
SDCM:	<5 (<3 option)	Operating Ambient Temperature:	-20 to 50°C
		Smart:	KASTA Compatible
		Dimming:	Phase-Cut Dimmable (Trailing Edge) DALI Dimmable Models Available. See Page 212.

APPLICATIONS

Retail
Hospitality
Function Area
Shopping Centres



DIMENSIONS



Remote Driver: 155 x 45 x 30mm

MARS20W160R4K

Remote Driver: 155 x 45 x 30mm

MARS30W190R4K

Remote Driver: 220 x 44 x 32mm

MARS40W215R4K

FIND OUT MORE:

