

Unison™ USB Mechanism

MU2A



2.1A USB mechanism that clips into standard wall plate

FEATURES

- Compatible with KASTA Unison™ range of wall plates and most other Australian wall plates
- USB Type A Dual Port design
- Perfect for extra switch aperture on KASTA Edgy™ and Tallic™ double powerpoints
- Fit up to 4 USB charger mechanisms in 1 wall plate
- Suits most smart phones and tablets
- Provides maximum of 2.1A fast charge to electronic devices
- High efficiency, less than 50mW standby power
- Over-current, Over-temperature and Over-voltage protection
- 1 year warranty

SPECIFICATIONS

Power Supply	220-240V a.c. 50Hz
Standby Power	<1mA +/-5%
Output Power	5V d.c. +/-5% Max. 2.1A SELV
Operating Ambient Temperature	5 to 40°C
IP Rating	IP20
Physical Connection Type	Fly leads
Wiring Connections	Active & Neutral
Wire Size	2 x 0.75mm ²
Housing Material	Polycarbonate (PC)
Standards Complied	AS/NZS 62368.1, AS/NZS 61558.2.16

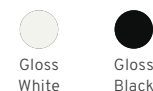
ORDERING CODE

MU2A-WH

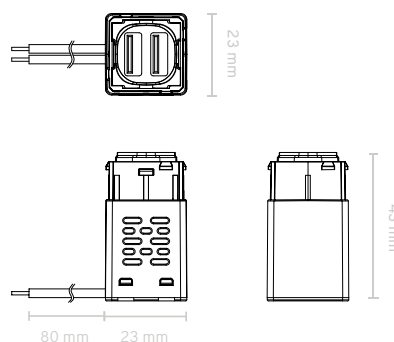
(plate finish)

WH - White
BK - Black

COLOURS

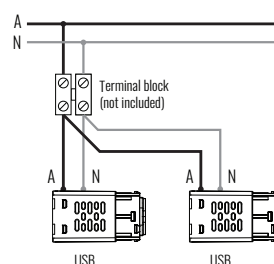


DIMENSIONS



CONNECTION

USB



Powerpoint w/USB

