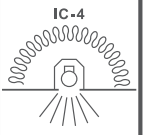


HANECO LED DOWNLIGHT INSTALLATION GUIDE

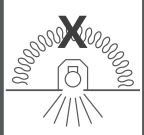
OVOLO

Thanks for choosing our OVOLO Downlight products.
We strongly recommend that you read this manual carefully before installation.



IC-4

- Suitable for residential or commercial use
- Fitting can be covered with building insulation
- Can be used where air transfer is not permitted or not desired between living space & roof space



Do not cover

- Suitable for residential or commercial use in AU. Fitting cannot be covered with building insulation
- Insulation must be placed as per clearance distances according to manufactures installation guide

Installation Instructions

1. Cut a hole in the ceilings according to the table below:

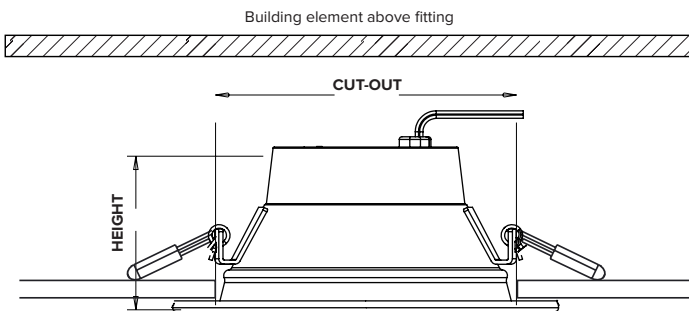
PRODUCT CODES	CUT-OUT	HEIGHT	FACE DIAMETER	IC RATING	Dimmable
OVL145R-DIM	120mm	61mm	145mm	IC-4	Yes
OVL165R-DIM	135mm	63mm	165mm	DO NOT COVER	Yes
OVL200R-DIM	162mm	68mm	200mm	DO NOT COVER	Yes
OVL230R-DIM	195mm	75mm	230mm	DO NOT COVER	Yes

2. Select CCT and power settings.

3. Insert plug and cable through the cut-out into the ceiling cavity and plug into a pre-wired socket outlet inside the ceilings

4. Fold mounting clips up to the sides of the luminaire and insert luminaire through the cut-out. The mounting clips will retract onto the rear face of the ceiling and hold the luminaire in position.

5. Insulation cannot abut and cover the luminaire.



WARNING

- If the external flexible cord of this luminaire is damaged, it shall be exclusively replaced by the manufacturer or by a service agent or licenced electrician in order to avoid a hazard.
- Non-user replaceable light source. The light source contained in this luminaire shall only be replaced by the manufacturer or by a service agent or licenced electrician.
- The diffuser is integral to the luminaire and cannot be removed without being permanently damaged.
- The luminaire must be installed by professional electrician.
- Switch power off when wiring the luminaire.
- Ensure input voltage conforms to the voltage range of product.
- Ensure wires are securely connected.
- Before switching on, ensure that all the wiring is correct.
- The warranty is void if product is not installed according to the instructions.