

PARX-WG

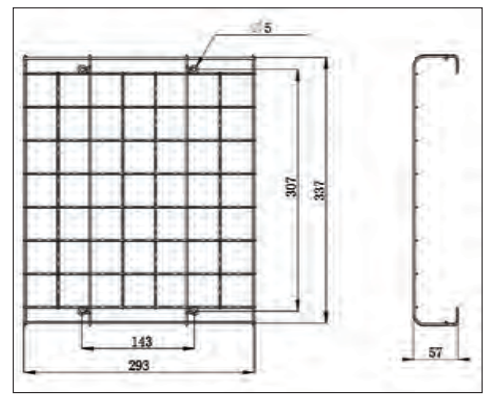
PHOTO

QUICK FACTS

Suits	150W/200W/300W
Material	Q195 (Steel)
Colour	Black
Weight	230g



DIMENSIONS

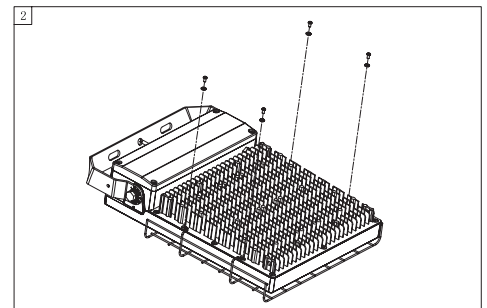
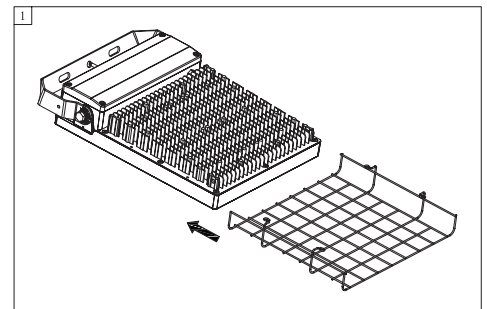


ACCESSORIES

4PCS Screws M4 x 8mm, stainless steel

4PCS flat gasket: M4, 4 x 9 x 0.9, stainless steel

INSTALLATION



Subject to change without notice, errors and omission excepted. Always make sure to use the most recent release.