

Powerful all-rounder

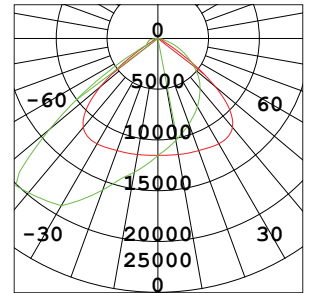
PARX^{G2} is a powerful and versatile industrial LED floodlight. Asymmetric distribution for reduced spill light, easy installation and a wide range of accessories are just a few reasons why it's a successful all-rounder suitable for a large variety of applications.

APPLICATIONS

- Shed
- Carport
- Side of Building
- Carpark
- Temporary Installations
- General Industrial
- Area Lighting
- Sport Complex



PHOTOMETRIC DIAGRAM



Unit: cd
 - C0/180,104.5
 - C90/270,64.0

KEY INFORMATION

Power	175 / 200 W
Lumen Output	30,697 / 34,372 lm
Mounting Type	Bracket Mounting
Dimming Type	0-10V Dimming
Product Colour	Black RAL 9005
IP Rating	IP65
IK Rating	IK08
HACCP Approval	Not Applicable
Rebate Scheme Approvals	Not Applicable
Driver	Integral
Warranty	5 Years

PHOTOMETRIC

Efficacy	174 / 173 lm/w
CCT	4000 K
CRI	>80
SDCM	≤3
UGR	23
Beam Angle	60° x 105°
Lifespan	100,000 hr

ELECTRICAL

Input Voltage	220-240Vac,50/60Hz
Power Factor	> 0.9
Electrical Classification	CLASS I
Flicker-Free	Yes
Surge Protection	10 kV

OTHERS

PE Cell	Integrated
Angle Adjustment	0-180°
Body Material	Die-cast Aluminum
Diffuser Material	Polycarbonate (Clear)
Operating Ambient Temp.	-40 ~ 50°C
Connection Type	2 m, Flying lead
Weight	5.1 kg
Dimensions	442 x 320 x 60 mm

PARX^{G2}

PARX200W-AS-4K
SAP CODE: 2002382

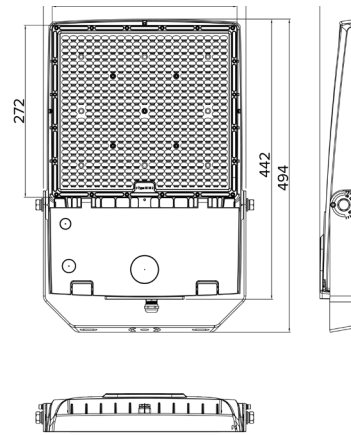
Powerful all-rounder

PARX^{G2} is a powerful and versatile industrial LED floodlight. Asymmetric distribution for reduced spill light, easy installation and a wide range of accessories are just a few reasons why it's a successful all-rounder suitable for a large variety of applications.

APPLICATIONS

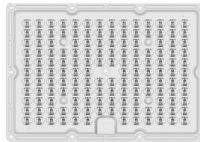
- Shed
- Carport
- Side of Building
- Carpark
- Temporary Installations
- General Industrial
- Area Lighting
- Sport Complex

DIMENSIONS



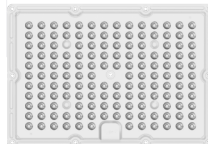
200W

ACCESSORIES



Type 3 Lens

Description	Product Code
200W T3 Lens	PARX200W-LENS-T3



Symmetric Lens

Description	Product Code
200W Symmetric Lens	PARX200W-LENS-SM



Shield

Description	Product Code
200W Spill Light Shield	PARX200W-SHIELD



Adaptor

Description	Product Code
60mm Spigot Adaptor	PARX-SPIGOT