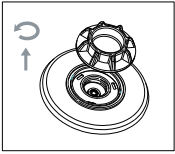


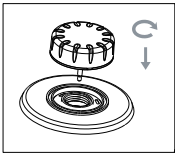
SKYLUX^{G5}

**Product Code: SKYLUX120W-G5
SKYLUX200W-G5**

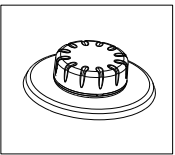
Motion Sensor Installation



STEP 1. Switch Off the power supply. Remove the IP65 cover by rotating it counterclockwise and pull outward.

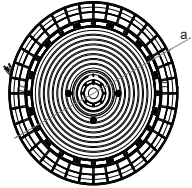
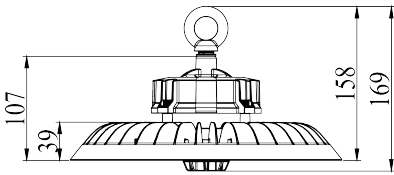
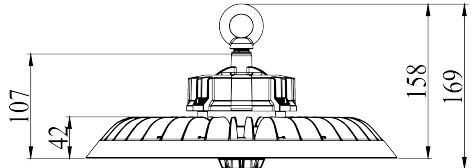


STEP 2. Insert the microwave sensor (SKYLUX-G5/EV-MS : 2002438). Push downward and turn clockwise (360°) to engage the sensor. Motion sensor setting are set using a remote controller (HIGHBAY-REMOTE : 2002282).



STEP 3. It is correct installation when the microwave sensor are aligned with the marker as shown in image. Turn ON the unit power and set the microwave sensor suit.

Product Dimension

		
Product	Skylux G5	
	120W	200W
a	280	320

Accessories (Not included)

PRODUCT CODE	Part number	Description
SKYLUXG4-BRKT	2002276	Skylux Mounting Bracket
SKYLUX-G5/EV-MS	2002438	Microwave Sensor
HIGHBAY-REMOTE	2002282	Remote controller
SKYLUX200W-G5-90L	2002437	200W - 90° lens
SKYLUX200W-G5-60L	2002036	200W - 60° lens
SKYLUX120W-G5-90L	2002035	120W - 90° lens
SKYLUX120W-G5-60L	2002434	120W - 60° lens
SKYLUX120G4-PR	2002277	120W - Prismatic Reflector Without Cover
SKYLUX200G4-PR	2002278	200W - Prismatic Reflector Without Cover
SKYLUX200G4-RF	2002309	200W - Aluminum Reflector Without Cover