

# SKYLUX G4/SL/SP BRACKET

Thank you for choosing Haneco SKYLUX G4/SL/SP Highbay.  
We strongly recommend that you read this manual carefully before installation.

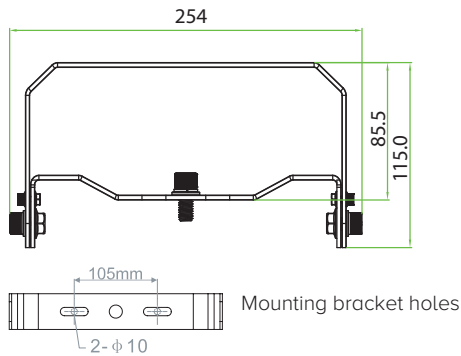
This installation guide is suitable for SKYLUX G4/SL/SP model.

## WARNING

- Installation must be carried out by a licenced electrician and in accordance with these instructions and relevant Australian standards and local regulations.
- Ensure input voltage conforms within product specifications.
- Ensure wires are securely connected.
- Before switching on, ensure all wires are correctly connected.
- The warranty is void if product is not installed according to the instructions.

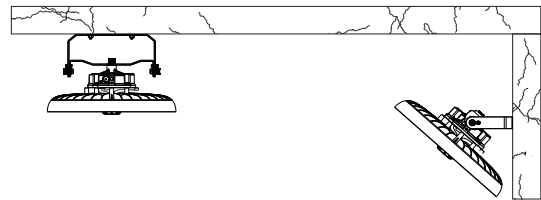
Note: Product technical information and specification may change over time without prior notice. For latest information, please contact our customer service or visit our website [www.haneco.com.au](http://www.haneco.com.au)

## Product Dimension



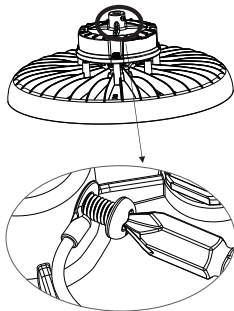
## Mounting Option

Ceiling or wall mount with bracket

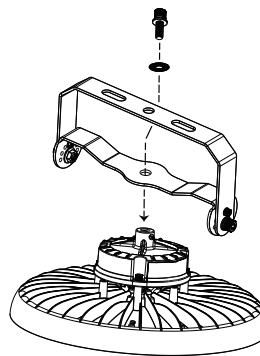


## Installation

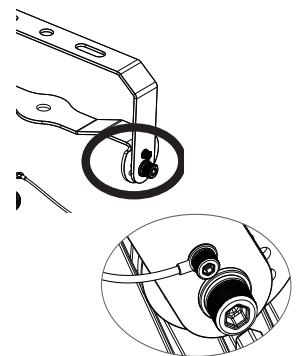
**STEP 1:** Secure the wiring harness onto the light fitting.



**STEP 2:** Secure the bracket with the supplied M10 bolt and spring washer.



**STEP 3:** Secure the wiring harness onto the mounting bracket.



**STEP 4:** If required, adjust the bracket angle to suit.

