

# STAX PLUS

**STAX200WPLUS**  
SAP CODE: 2002676

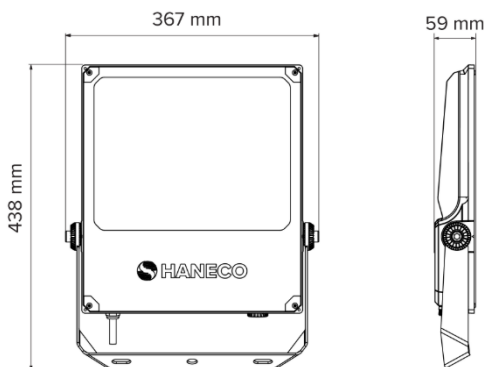
## Versatile and effective.

STAX PLUS is a high-performance asymmetric LED floodlight designed for precise, uniform and low-glare illumination across sports facilities, industrial sites and outdoor areas. Its advanced optical design minimises spill light while maximising efficiency, and its robust, weather-resistant construction ensures long-lasting reliability in demanding environments.

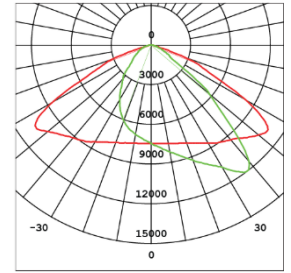
### APPLICATIONS

Shed, Side of Building, Temporary Installations, General Industrial, Area Lighting, Carparks, Carports

### DIMENSION DIAGRAMS



### PHOTOMETRIC DIAGRAM



Unit: cd  
 - C0/180 136.3deg  
 - C90/270 70.1deg  
 Photometric diagram shown is for 4000K output.

### KEY INFORMATION

Power	150W 170W 200W
Lumen Output	20,999 / 23,026 / 22,758 lm 23,151 / 25,536 / 24,811 lm 25,597 / 28,807 / 27,597 lm
Mounting Type	Surface Mount
Dimming Type	Non-Dimmable
Body Colour	Black
IP Rating	IP66
IK Rating	IK08
Operating Ambient Temp.	-20 to 45°C
Connection Type	1m Flex without plug
Driver	Integral
Warranty	5 yrs

### PHOTOMETRIC

Efficacy	138 / 158 / 149 lm/W 135 / 155 / 143 lm/W 130 / 152 / 139 lm/W
CCT	3000 / 4000 / 5000 K
CRI	> 80
SDCM	≤5
Beam Angle	70x140°
Flicker-Free	No
Projected Lifespan	>102,000hr @Ta45° (L80)

Input Voltage	220-240Vac 50/60HZ
Power Factor	>0.9
Electrical Classification	Class I
Surge Protection	6kV

### OTHERS

Body Material	Diecast Aluminum
Diffuser Material	Glass
Rebate Scheme Approvals	Not Applicable
Weight	4.78kg
Dimensions	367 x 429 x 60mm