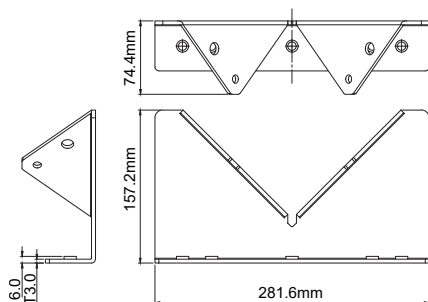
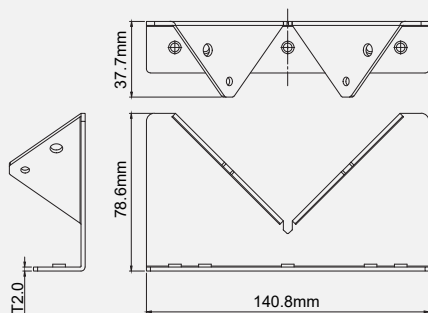


STAX 90° BRACKET

Allows safe and easy mounting to corners of buildings for greater light coverage



STAX90D-BRKT-S

SAP CODE: 2002126

KEY INFORMATION

| | |
|-------------------|------------------------|
| Compatible Models | STAX30WG4 STAX50WG4 |
| Fitting Colour | Matte Black |
| Housing | Steel |
| Total Weight | 0.22kg |
| Dimensions | 140.8x78.8x37.7mm |



STAX90D-BRKT-L

SAP CODE: 2002137

KEY INFORMATION

| | |
|-------------------|--------------------------|
| Compatible Models | STAX100WG4 STAX200WG4 |
| Fitting Colour | Matte Black |
| Housing | Steel |
| Total Weight | 1.33kg |
| Dimensions | 281.6x157.2x74.4mm |