

STELLAR⁶⁰

Haneco LED downlights require a **minimum clearance of 25mm** around the **heat sink** (including thermal insulation and building structural components). This clearance is based on a **maximum ambient temperature of 70°C**. The electronic LED driver must be located at minimum of 50mm away from the heat sink in a well-ventilated area.

DO NOT COVER

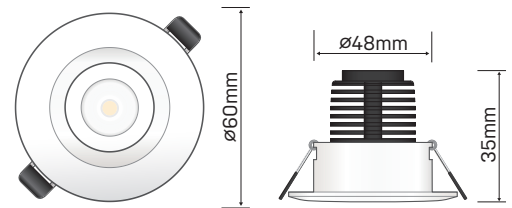


Insulation or combustible material most not come in contact with the luminaire of LED unit.

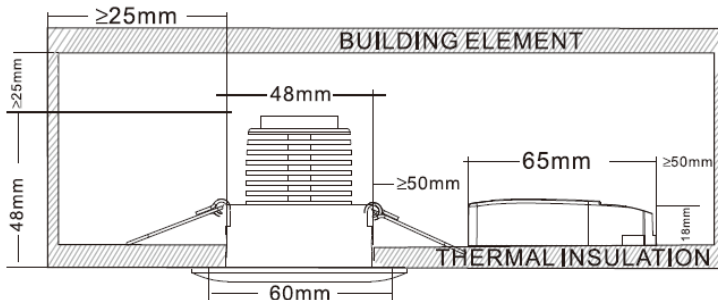
STELLAR⁶⁰ Installation Instructions

1. Remove LED fitting from the box.
2. Cut a hole as per diagram below.
3. Insert the plug into the socket.
4. Insert LED downlight into the pre-cut hole while gently releasing mounting springs.
5. Place the driver above the insulation as far from the luminaire as the lead allows.

Dimensions



Remote Driver 58x29x21mm



3W	CREE	Driver incl.	IP40	240V
-20° ~ 45°		Alum.	700mA	4VDC

WARNING

The luminaire must be installed by a professional electrician.
 Always switch the power off when wiring the luminaire.
 Ensure input voltage conforms to the voltage range of product.
 Ensure wires are securely connected.
 Before switching on, ensure that all the wiring is correct.
 Warranty is void if product is not installed according to the instructions.

Product Codes:

STELLAR60A01
STELLAR60A4K
STELLAR60A02