

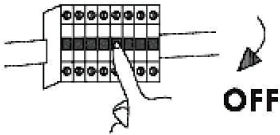
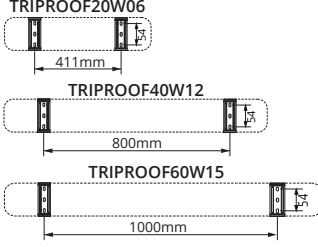
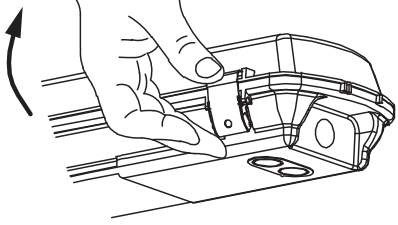
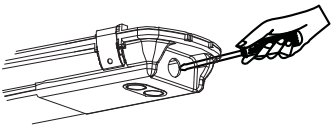
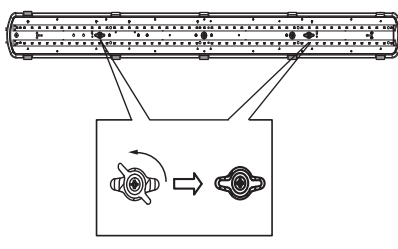
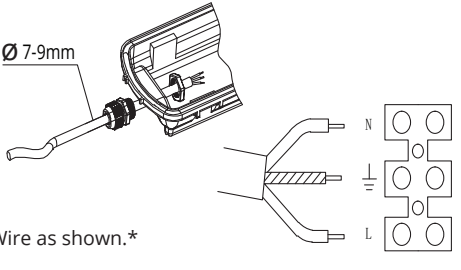
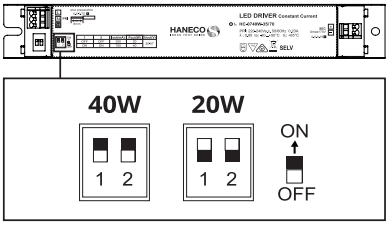
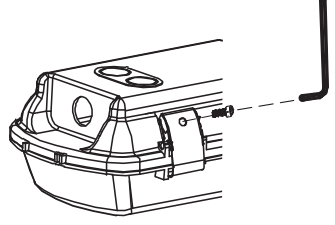
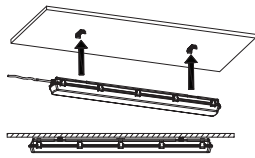
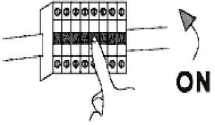
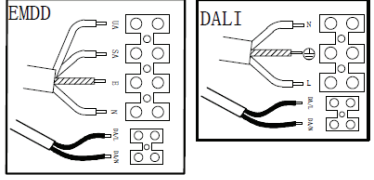
TRIPROOF SERIES

Thanks for choosing our TRIPROOF batten series products.
We strongly recommend that you read this manual carefully before installation.

⚠ WARNING

- The luminaire must be installed by professional electrician.
- Switch power off when wiring the luminaire.
- Ensure input voltage conforms to the voltage range of product.
- Ensure wires are securely connected.
- Before switching on, ensure that all the wiring is correct.
- The warranty is void if product is not installed according to the instructions.

Installation Instructions

 <p>1. Switch off power. Isolate the electrical supply near location so as not to cause electrical hazard.</p>	 <p>2. Measure hole positions on mounting surface. Fasten brackets to mounting surface.</p>	 <p>3. Release clips on side of fitting and remove diffuser.</p>
 <p>4. Knock-out or cut out holes as necessary to install cables.</p>	 <p>5. Unlock and remove gear tray.</p>	 <p>6. Wire as shown.*</p>
<p>7. For Intellisensor models, see attached leaflet for setup guide. Ecoswitch models got to step 8. All other models go to step 9.</p>	 <p>8. Toggle switch left for 40W output. Toggle switch right for 20W output.</p>	 <p>9. Replace gear tray and diffuser. Fasten anti-vandal screws if required.</p>
 <p>10. Clip fitting onto brackets.</p>	 <p>11. Test the installation in accordance with the wiring rules and regulation. Switch on power.</p>	 <p>* Wire as shown for EMDD and DALI models</p>