

Installation instruction

Haneco lighting Australia Pty Ltd

Model list:

Rating: 220-240V~, 50/60Hz, ta:45°C, IP20, For detail informations see bellow table.

Model list					
For all models: 220-240VAC, 50/60Hz, Class I, IP20. ta:45°C, LED Quantity 288pcs; CCT 4000-5700					
Item No.	Model No.	Rated Power (W)	Size (length x width x height) (mm) and weight (kg)	With/without sensor switch function	LED driver
1	VISTA-HR12-MS	40	1165x125x67; 2.05kg	With	HN-LC-40-1000S
2	VISTA-HR12-S	40	1165x125x67; 2.0kg	Without	HN-LFM-40H
3	VISTA-HR12-S-19W	19	1165x125x67; 2.0kg	Without	HN-LFM-40H
4	VISTA-HR12-S-26W	26	1165x125x67; 2.0kg	Without	HN-LFM-40H
5	VISTA-HR12-S-31W	31	1165x125x67; 2.0kg	Without	HN-LFM-40H
6	VISTA-HR12	40	1230x125x67; 2.2kg	Without	HN-LFM-40H
7	VISTA-HR12-19W	19	1230x125x67; 2.2kg	Without	HN-LFM-40H
8	VISTA-HR12-26W	26	1230x125x67; 2.2kg	Without	HN-LFM-40H
9	VISTA-HR12-31W	31	1230x125x67; 2.2kg	Without	HN-LFM-40H

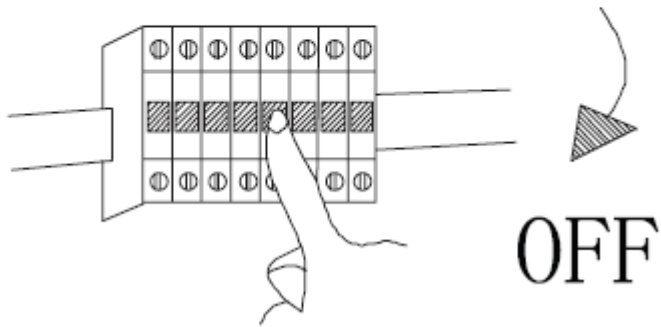


For more information
www.haneco.com.au
1300 001 LED (533)

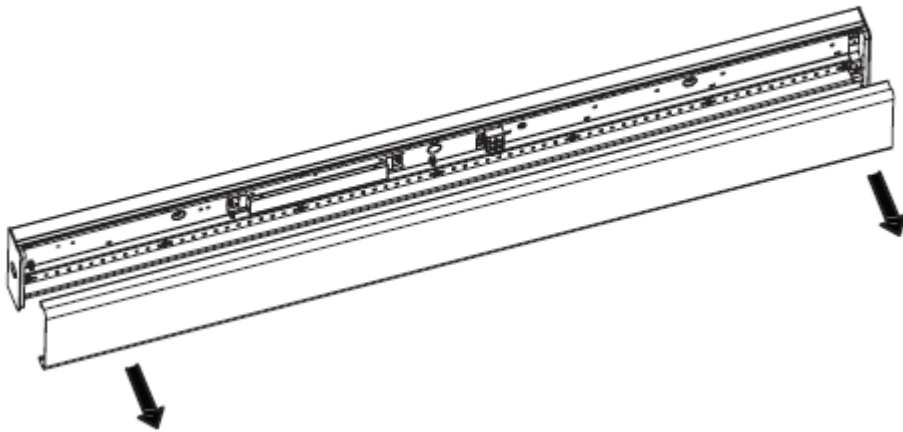


Installation Steps:

- 1 Switch-off main power.

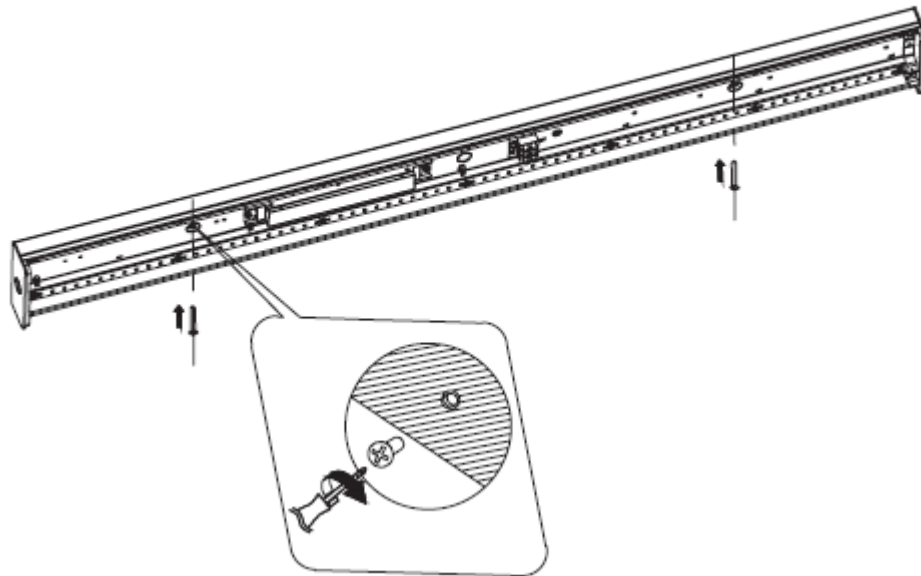


- 2 Remove diffuser.



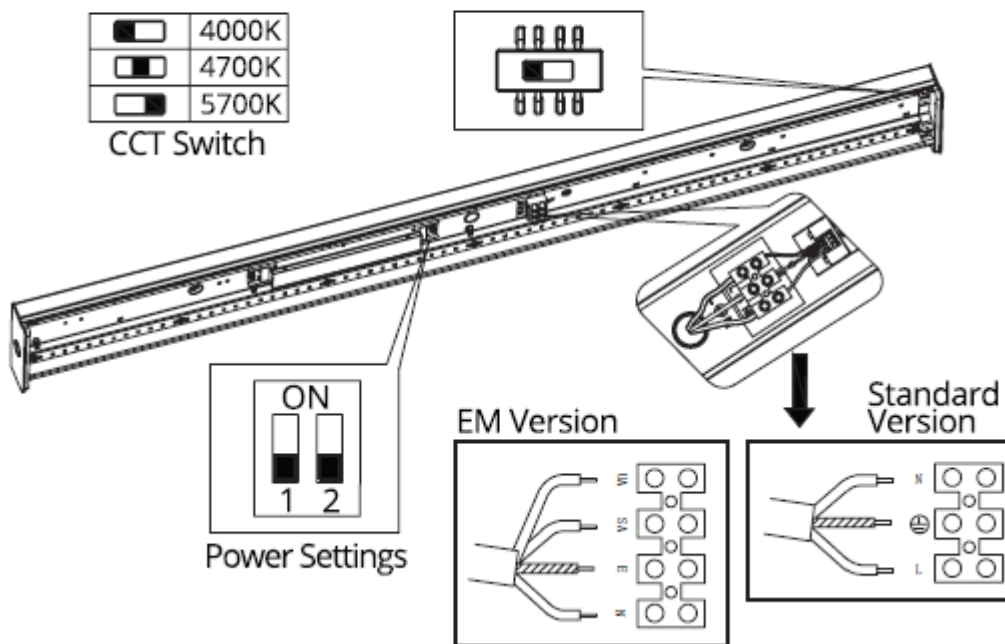
3

Fasten chassis to surface.



4

Set CCT and power to desired level, then connected to the main.




5

For Intellisensor models, see attached leaflet for setup guide.

Intellisensor

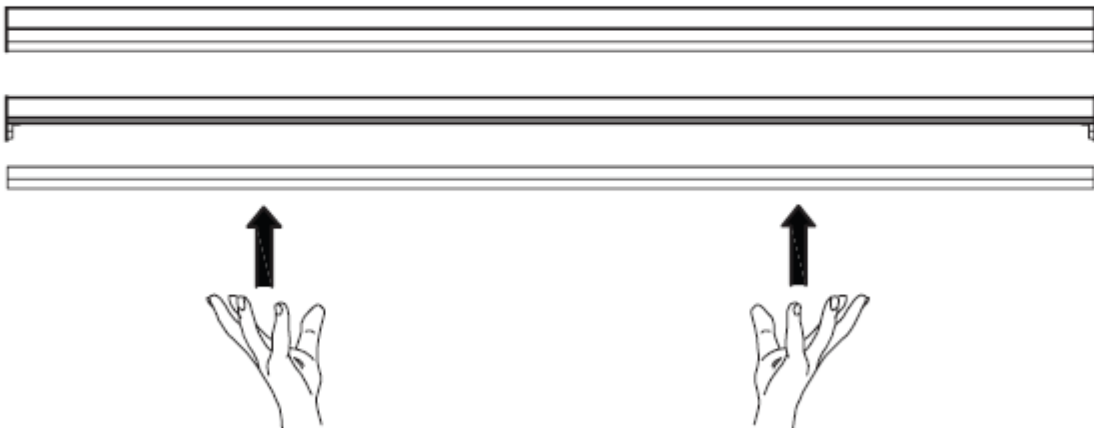
Detection Range		Hold Time		Daylight Sensor		Standby Period		Standby Dimming level	
1		2	3	4		5	6	7	8
<input type="checkbox"/>	100%	<input type="checkbox"/>	5s	<input type="checkbox"/>	Disable	<input type="checkbox"/>	0s	<input type="checkbox"/>	10%
<input type="checkbox"/>	50%	<input type="checkbox"/>	1min	<input type="checkbox"/>	50Lux	<input type="checkbox"/>	5min	<input type="checkbox"/>	20%
		<input type="checkbox"/>	10min			<input type="checkbox"/>	30min	<input type="checkbox"/>	30%
		<input type="checkbox"/>	30min			<input type="checkbox"/>	+∞	<input type="checkbox"/>	50%

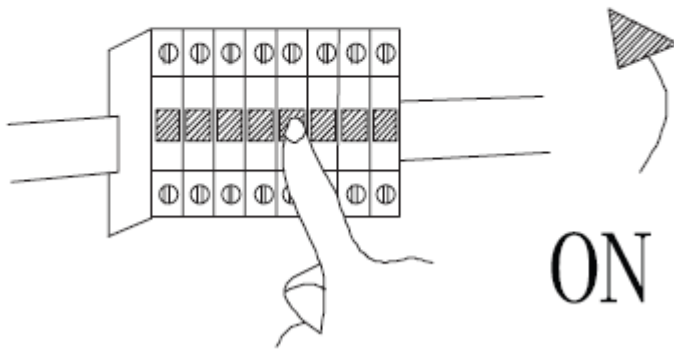
Note: 1. "0s" means on/off control.
 2. "+∞" means bi-level dimming control, fixture never switches off.
 3. Factory default setting: 100% - 1min - 50Lux - 5min - 10%.



6

Put the diffuser on.



7**Switch-on main power.****After installation, please.**

- Check whether the lighting fixture is firmly fixed.
- Check whether wires are connected correctly.

At last, turn on the power, and check if the lighting fixture works well. If not, please turn off the power and contact with your sales representative.

Warning:

1. The luminaire must be installed by a professional electrician.
2. Always switch the power off when wiring the luminaire.
3. Ensure input voltage conforms to the voltage range of product.
4. Ensure wires are securely connected.
5. Before switching on, ensure that all the wiring is correct.
6. Warranty is void if product is not installed according to the instructions.
7. The light source contained in this luminaire shall only be replaced by the manufacturer, the service agent or a similar qualified person.

Sensor

Operating voltage	12VDC+/-2V
HF system	5.8gHZ
Transmitting power	<0.5M/W
Power consumption	<0.5W
Area	10*6m Max
Hold time	5s-30min
Stand-by Period	0s/30s/10min/
Stand-by DIM Level	20%
Daylight Sensor	5lux/15lux/15lux
Operating temperature	-25°C ~60°C
IP	IP20