

HANECO LED BATTEN INSTALLATION GUIDE

VISTA^{LINE}

Thank you for choosing Haneco Vista^{LINE} LED batten.

We strongly recommend that you read this manual carefully before installation.

WARNING

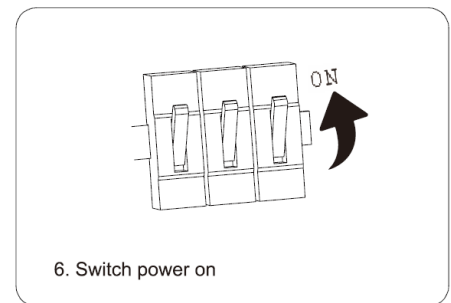
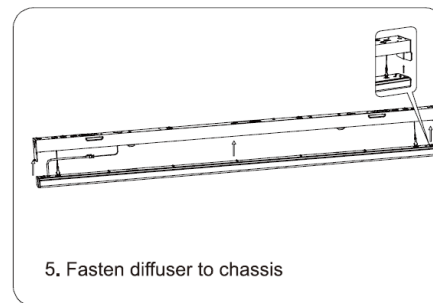
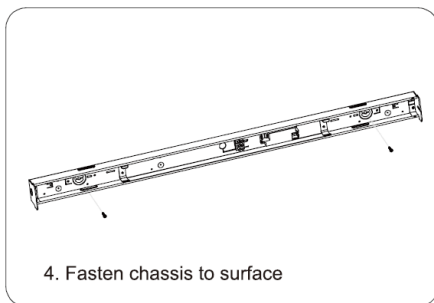
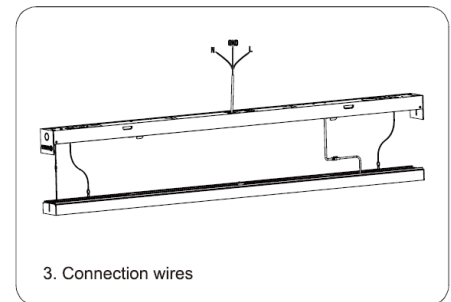
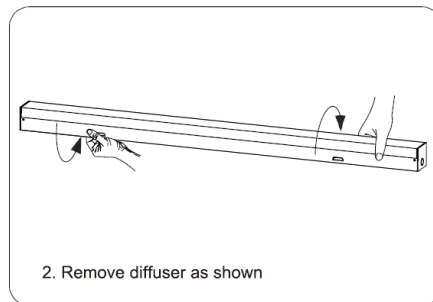
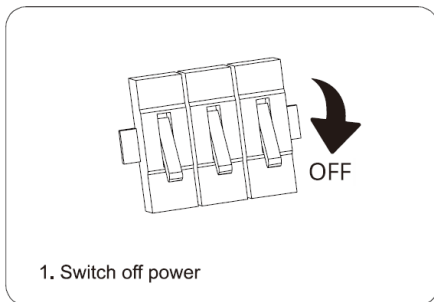
- Installation must be carried out by a licenced electrician and in accordance with these instructions and relevant Australian standards and local regulations.
- Ensure input voltage conforms within product specifications.
- Ensure wires are securely connected.
- Before switching on, ensure all wires are correctly connected.
- The warranty is void if product is not installed according to the instructions.

Note: Product technical information and specification may change over time without prior notice. For latest information, please contact our customer service or visit our website www.haneco.com.au

Specifications

Model	Power	Beam Angle	Frequency	IP Rating
VSL20W06-TRI	20W	120°	50/60Hz	IP20
VSL20W06-TRI-EM	20W	120°	50/60Hz	IP20
VSL20W40W12-TRI	20/40W	120°	50/60Hz	IP40
VSL20W40W12-TRI-EM	20/40W	120°	50/60Hz	IP40

Installation Instructions



Class I Solid Earthed Fitting

PRODUCT CODE: VSL20W06-TRI
VSL20W06-TRI-EM
VSL20W40W12-TRI
VSL20W40W12-TRI-EM