

SKYPAD100W

QUICK FACTS

Input power	100W
Power Factor	≥0.9
IP Rating	67
Dimming	Optional
Lumen output	11800lm
CCT	5000K
CRI	>80
Beam Angle	110°
Fascia Colour	Black
Installation	Suspended & Surface Mounted
Warranty	5 years

PRODUCT SPECIFICATIONS

Supply Voltage	240-265V
Supply Frequency	50-60Hz
Cable	2.5M Flex&Plug
Body	Aluminium
Diffuser	PC
Driver	Fixed Remote
Weight	G.W : 5.1kgs N.W : 4kgs
Ambient Temp	-30°C - 60°C
Avg. lifetime	≥60,000 hrs@ ta 55°C

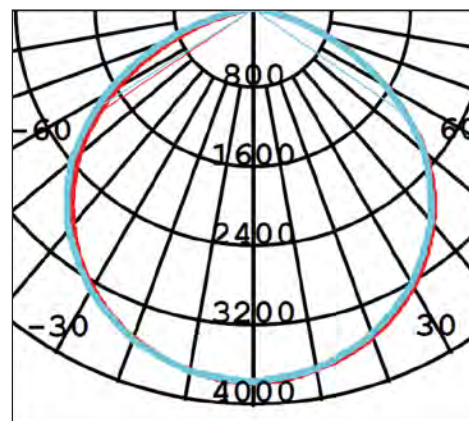
Accessory
Metal Reflector, Wire Guard, Frosted Diffuser, Prismatic Reflector

Option:
Intellisensor, Sunmax daylight harvesting sensor

PHOTO



PHOTOMETRIC DIAGRAM

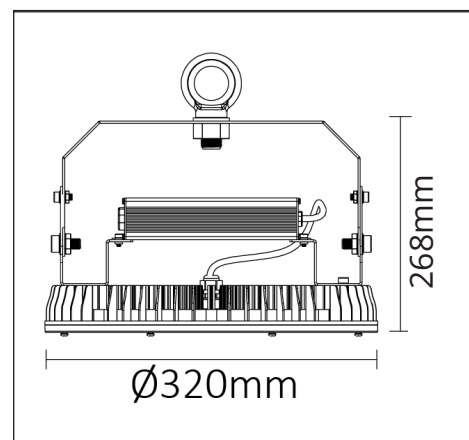


UNIT: cd

— C0/180 111.3deg

— C90/270 112.8deg

DIMENSIONS



Subject to change without notice, errors and omission excepted. Always make sure to use the most recent release.