

# SKYPAD150W-I

## QUICK FACTS

Input power	<b>150W</b>
Power Factor	<b>≥0.9</b>
IP Rating	<b>65</b>
Dimming	<b>1-10V</b>
Lumen output	<b>21000lm</b>
CCT	<b>5000K</b>
CRI	<b>&gt;80</b>
Beam Angle	<b>110°</b>
Fascia Colour	<b>Black</b>
Installation	<b>Suspended &amp; Surface Mounted</b>
Warranty	<b>5 years</b>

## PRODUCT SPECIFICATIONS

Supply Voltage	<b>240-265V</b>
Supply Frequency	<b>50-60Hz</b>
Cable	<b>2.5M Flex&amp;Plug</b>
Body	<b>Aluminium</b>
Diffuser	<b>PC</b>
Driver	<b>Fixed Remote</b>
Weight	<b>G.W : 5.1kgs</b> <b>N.W : 4kgs</b>
Ambient Temp	<b>-20°C - 50°C</b>
Avg. lifetime	<b>≥60,000 hrs@ ta 55°C</b>

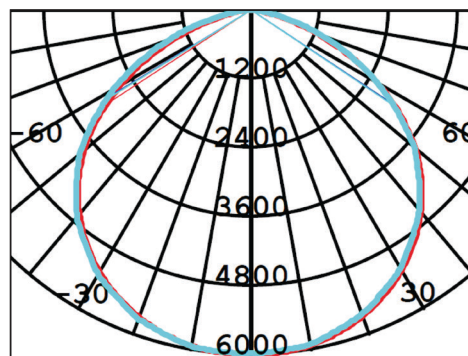
**Accessory**  
Metal Reflector, Wire Guard, Frosted Diffuser, Prismatic Reflector

**Option:**  
Sunmax daylight harvesting sensor

PHOTO



PHOTOMETRIC DIAGRAM

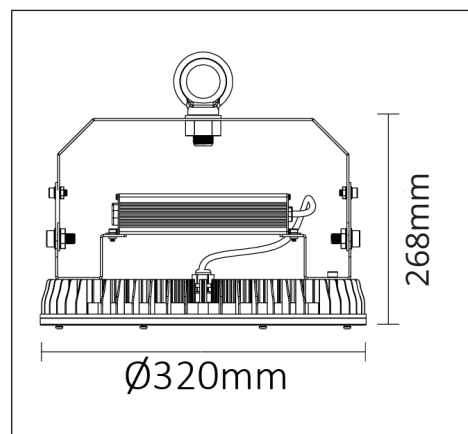


UNIT: cd

— C0/180 113.5deg

— C90/270 114.2deg

DIMENSIONS



Subject to change without notice, errors and omission excepted. Always make sure to use the most recent release.

# SKYPAD150W-I

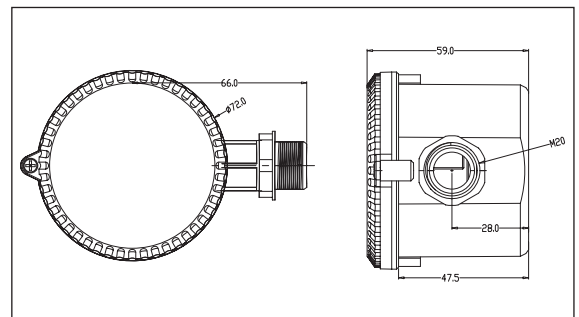
## QUICK FACTS

- 1-10V output control
- Combine Daylight & High frequency motion detection in one unit to achieve on/off control
- 360° detection angle
- Detection range, Hold time, Standby time, and Daylight threshold can be preset

PHOTO



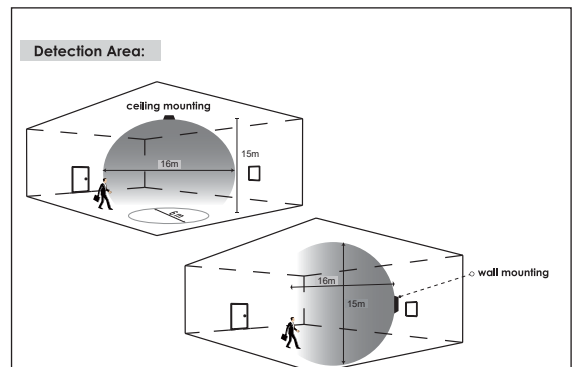
DIMENSIONS



## PRODUCT SPECIFICATIONS

Load wattage	<b>Max. 500W</b>
Standby power	<b>&lt;0.5W</b>
Microwave frequency	<b>5.8Ghz1</b>
Detection area	<b>&lt;0.2mW</b>
Detection Sensitivity	<b>15mx16m (DxH)</b>
Hold time	<b>50%/100%</b>
Standby time	<b>0s to 30min+</b>
Standby dimming level	<b>10% to 50%</b>
Daylight threshold	<b>50lux/Disable</b>
Dimensions (LxWxH)	<b>125x51x44mm</b>
IP rating	<b>65</b>

DETECTION AREA



SETTINGS

**Dip Switch Settings:**

Detection Range		Hold Time		Daylight Sensor	Standby Period		Standby Dimming level	
1	2	3	4	5	6	7	8	
<input type="checkbox"/> 100%	<input type="checkbox"/> 5s	<input type="checkbox"/> 1min	<input type="checkbox"/> Disable	<input type="checkbox"/> 0s	<input type="checkbox"/> 10%	<input type="checkbox"/> 10%	<input type="checkbox"/> 10%	
<input type="checkbox"/> 50%	<input type="checkbox"/> 10min	<input type="checkbox"/> 30min	<input type="checkbox"/> 50Lux	<input type="checkbox"/> 5min	<input type="checkbox"/> 20%	<input type="checkbox"/> 20%	<input type="checkbox"/> 20%	
				<input type="checkbox"/> 30min	<input type="checkbox"/> 30%	<input type="checkbox"/> 30%	<input type="checkbox"/> 30%	
				<input type="checkbox"/> +∞	<input type="checkbox"/> 50%	<input type="checkbox"/> 50%	<input type="checkbox"/> 50%	

**Note:** 1. "0s" means on/off control.  
 2. "+∞" means bi-level dimming control, fixture never switches off.  
 3. Factory default setting: 100% - 5s - Disable - 5min - 10%.

Subject to change without notice, errors and omission excepted. Always make sure to use the most recent release.