

SKYPAD150W-I

QUICK FACTS

Input power	150W
Power Factor	≥0.9
IP Rating	65
Dimming	1-10V
Lumen output	21000lm
CCT	5000K
CRI	>80
Beam Angle	110°
Fascia Colour	Black
Installation	Suspended & Surface Mounted
Warranty	5 years

PRODUCT SPECIFICATIONS

Supply Voltage	240-265V
Supply Frequency	50-60Hz
Cable	2.5M Flex&Plug
Body	Aluminium
Diffuser	PC
Driver	Fixed Remote
Weight	G.W : 5.1kgs N.W : 4kgs
Ambient Temp	-20°C - 50°C
Avg. lifetime	≥60,000 hrs@ ta 55°C

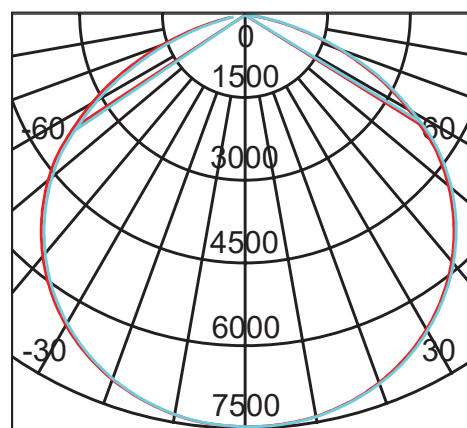
Accessory
Metal Reflector, Wire Guard, Frosted Diffuser, Prismatic Reflector

Option:
Sunmax daylight harvesting sensor

PHOTO



PHOTOMETRIC DIAGRAM

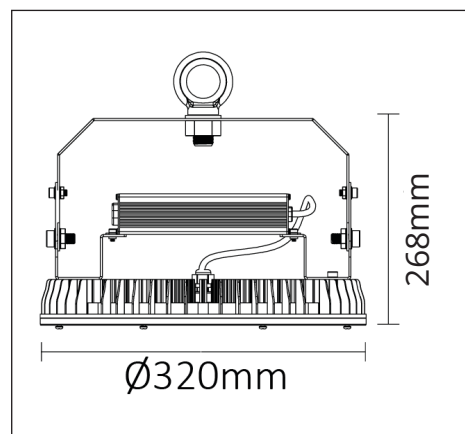


UNIT: cd

— C0/180 114.6deg

— C90/270 114.4deg

DIMENSIONS



Subject to change without notice, errors and omission excepted. Always make sure to use the most recent release.

SKYPAD150W-I

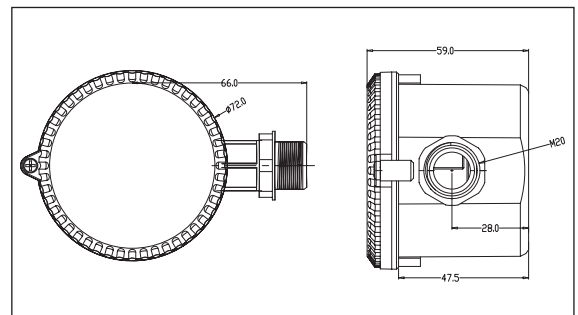
QUICK FACTS

- 1-10V output control
- Combine Daylight & High frequency motion detection in one unit to achieve on/off control
- 360° detection angle
- Detection range, Hold time, Standby time, and Daylight threshold can be preset

PHOTO



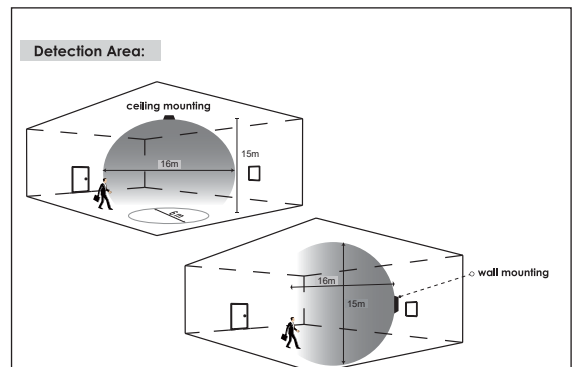
DIMENSIONS



PRODUCT SPECIFICATIONS

Load wattage	Max. 500W
Standby power	<0.5W
Microwave frequency	5.8Ghz1
Detection area	<0.2mW
Detection Sensitivity	15mx16m (DxH)
Hold time	50%/100%
Standby time	0s to 30min+
Standby dimming level	10% to 50%
Daylight threshold	50lux/Disable
Dimensions (LxWxH)	125x51x44mm
IP rating	65

DETECTION AREA



SETTINGS

Dip Switch Settings:

Detection Range		Hold Time		Daylight Sensor	Standby Period		Standby Dimming level	
1	2	3	4	5	6	7	8	
<input type="checkbox"/> 100%	<input type="checkbox"/> 5s	<input type="checkbox"/> 1min	<input type="checkbox"/> Disable	<input type="checkbox"/> 0s	<input type="checkbox"/> 10%	<input type="checkbox"/> 20%	<input type="checkbox"/> 30%	
<input type="checkbox"/> 50%	<input type="checkbox"/> 10min	<input type="checkbox"/> 30min	<input type="checkbox"/> 50Lux	<input type="checkbox"/> 5min	<input type="checkbox"/> 30min	<input type="checkbox"/> +∞	<input type="checkbox"/> 50%	

Note: 1. "0s" means on/off control.
 2. "+∞" means bi-level dimming control, fixture never switches off.
 3. Factory default setting: 100% - 5s - Disable - 5min - 10%.

Subject to change without notice, errors and omission excepted. Always make sure to use the most recent release.