

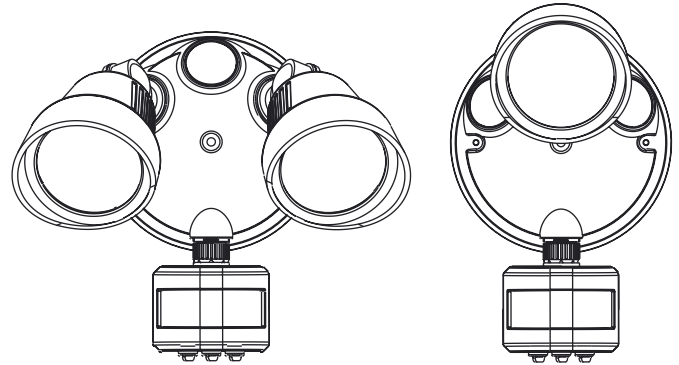
## PROXIMA-TRI

Thanks for choosing our PROXIMA-TRI LED Security light  
We strongly recommend that you read this manual carefully before installation.

NOTE: Sensor is sold separately, see  
product codes on following page.

### Specifications

Power Source	220-240V a.c. 50Hz
Detection Range	180°
Ambient Light	10-2000LUX (adjustable)
Time Delay	Minimum: 10sec ± 3sec Maximum: 7min ± 2min
Colour Temperature	5000K
Detection Motion Speed	0.6876 - 1.5m/s
Detection Distance	2 - 12m (adjustable)
Working Temperature	-20 - +40°
Working Humidity	<93% RH
Power Rating	15W per head
IP Rating	IP54



### Sensor Function

- When the LUX dial is turned to the sun symbol, the light will operate in any light. To have it operate only when it is dark (less than 10 lux), turn the dial towards the moon symbol.
- The SENS dial adjusts detection distance. The lowest setting is 2m, which can be increased to 12m by turning the dial towards the + symbol.
- The time the light remains on can be adjusted from approximately 10 seconds to approximately 7 minutes.
- Any new movement re-sets the time and delays the moment the light goes off.

### Manual Override Function

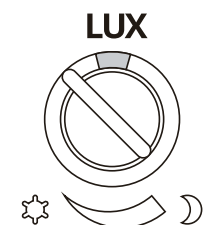
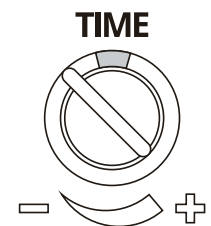
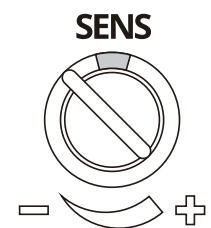
The light can stay on for longer time periods by turning the wall switch on and off within one second. This overrides the sensor and allows the light to remain on when switched on.

To resume sensor mode, switch off, wait 10 seconds and turn the switch back on.

### Test

When testing in daylight, set the TIME dial to 10S and the LUX dial to the sun symbol. After 30 seconds the sensor should respond to presence and turn on and then off after the set 10 seconds.

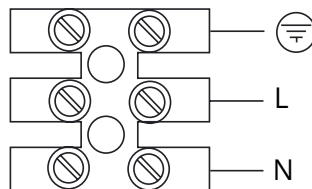
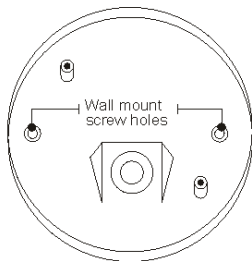
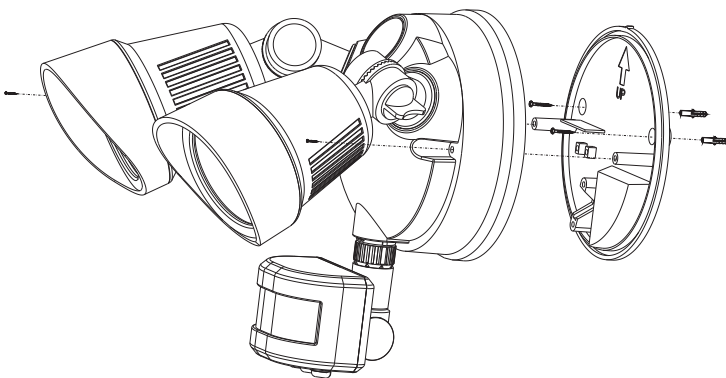
To set the sensor for night time during the day, turn the LUX dial towards the moon symbol and cover the sensor to simulate darkness.



# PROXIMA-TRI

## Installation

- Turn off the power.
- Unscrew the head screws on the front of the unit and remove the base plate.
- Feed the connection through the aperture provided.
- Fix the base plate to the wall using the screw holes.
- Connect the power source to the "N" (blue wire) "L" (brown wire) according to the wiring diagram.
- Replace the lamp on the base with the screws, turn on the power.



### WARNING

The luminaire must be installed by a professional electrician.  
 Always switch the power off when wiring the luminaire.  
 Ensure input voltage conforms to the voltage range of product.  
 Ensure wires are securely connected.  
 Before switching on, ensure that all the wiring is correct.  
 Warranty is void if product is not installed according to the instructions.

Fitting Code: **PROXIMA-TRI15**  
**PROXIMA-TRI15-W**  
**PROXIMA-TRI30**  
**PROXIMA-TRI30-W**

Sensor Code: **PROXIMA-PIR-W**  
**PROXIMA-PIR-B**