

FOCI

Specifications

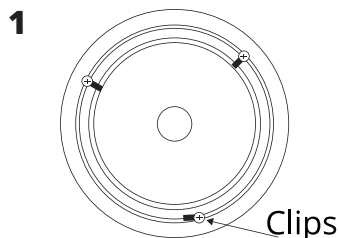
Model	Power	Trim	Lumen	Lm/W	CCT	Class	IP Rating	Rated Voltage
FOCI25W-B3KTRK	25W	BLACK	2110lm	84lm/W	3000K	1	IP40	220-240V AC 50/60Hz
FOCI25W-B4KTRK	25W	BLACK	2270lm	91lm/W	4000K	1	IP40	220-240V AC 50/60Hz
FOCI25W-W3KTRK	25W	WHITE	2110lm	84lm/W	3000K	1	IP40	220-240V AC 50/60Hz
FOCI25W-W4KTRK	25W	WHITE	2270lm	91lm/W	4000K	1	IP40	220-240V AC 50/60Hz

35° beam angle reflector is pre-installed

15° or 24° beam angle reflectors are available to purchase separately

Changing the beam angle reflector:

1. Unscrew the front ring holding in the lens and remove the reflector which is held in by hinged clips.
2. Replace with the desired reflector and ensure it is held in place by the clips. (Diagram 1)



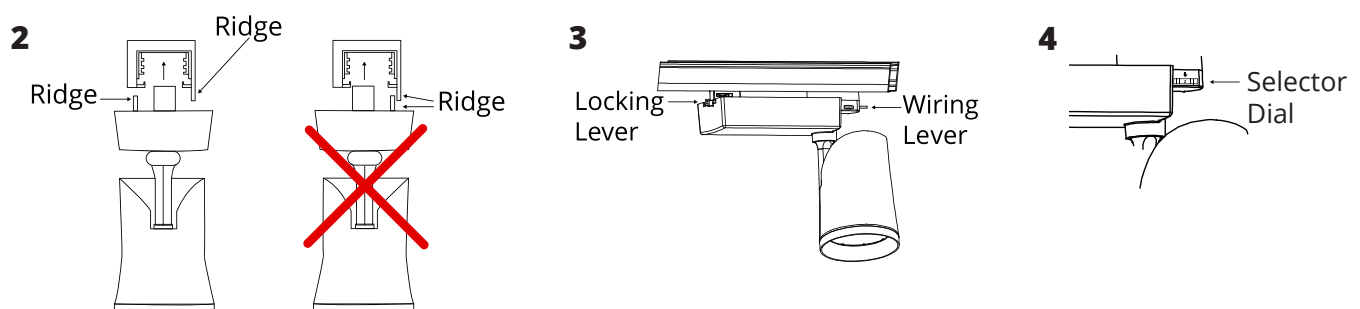
3. Screw on the front ring with the clear lens.

Installation

1. It's important that the luminaire has the correct orientation. Ensure that the ridges on the top of the unit are on the opposite side of the ridge which protrudes from one side of the track. The unit should fit so that it is secured square to the track and does not wobble once the locking lever is engaged. (Diagram 2)

2. Once the unit is in place engage the locking lever and the wiring lever. (Diagram 3)

3. Select the track required with the selector dial. (Diagram 4)



4. Position the lamp at the desired angle.
5. Turn power on.

WARNING

Must be installed by a qualified electrician.
Please read these instructions carefully before installation and keep them for future reference.
Make sure the luminaire is intact and undamaged.
The light source of this luminaire is not replaceable and once it reaches the end of its life the whole luminaire must be replaced.
For indoor use only.
Always switch off the power supply before installation.