



DUET

Emergency Floodlights



Dual directional for egress pathways.

DUET dual lamp flood light provides illumination for both large and small areas that need to be flooded with light during an emergency. DUET provides brilliant illumination that enables building occupants to easily find their way to safety under any circumstance – facilitating the evacuation of the building in the event of an emergency.

Features

- High efficiency LED
- Fully adjustable dual lamp positioning
- Easily accessible manual test button
- LiFePO4 battery compliant with AS2293.3
- Complete with flex and plug
- Available in black or white finish

Benefits

- Long lifetime and low power consumption
- Ensured safety throughout the building
- Simple maintenance
- Peace of mind for the end user
- Ease of installation
- Suitable for a wide range of applications

Product Overview

POWER (Standby)	POWER (Charging)	DISCHARGE TIME	RECHARGE TIME	LUMENS	CCT	EMERGENCY CLASSIFICATION	SAP CODE	PRODUCT CODE
3.5W	4W	3 hours	16 hours	250lm (per lamp)	5700K	C0: D125 C90: D125	2002087 2002175	DUET4W DUET4W-BK

BK = Black

SPECIFICATIONS

Type:	Non-Maintained	Driver:	Integral
Body Material:	Polycarbonate	Power Lead:	1.2m Flex & Plug and Internal Screw Terminals
Diffuser Material:	Polycarbonate (Clear)	Input:	220-240V, 50/60Hz
Housing Colour:	White Black	Electrical Classification:	Class 2
IP Rating:	IP20	Battery Type:	LiFePO4 3.2V 6.6Ah
AS/NZS Standards:	60598	Charger Operation:	Continuous
Beam Angle:	150° (dual adjustable)	Battery Test Button:	Manual
CRI:	>80	Lifespan:	>60,000hrs @Ta55°C (L70)
		Weight:	0.3kg
		Operating Ambient Temperature:	0 to 45°C

APPLICATIONS

Warehouses
Factories
Schools
Car Parks
Sports Facilities
Railway Stations

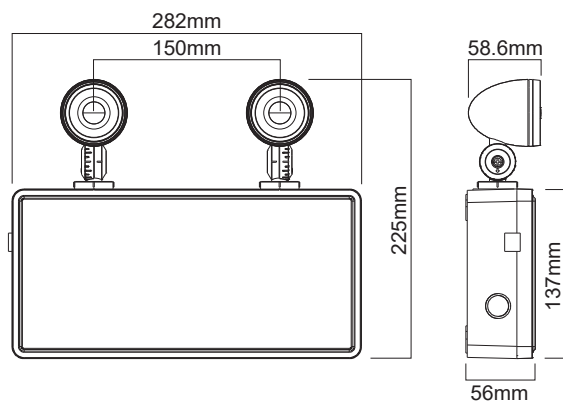


White



Black

DIMENSIONS



FIND OUT MORE:

